



W4

Supra CT Constant tension Heavy-Duty Clamp

The Supra CT clamp incorporates a series of AISI-304 Stainless steel spring washers to the outstanding Supra W4 clamp. This specialized version of the Supra W4 is used in applications subject to vibration and/or great variations in temperature and which cause the components of a hose assembly to expand and contract. Thanks to the spring washer system, the Supra CT maintains constant pressure around the hose and prevents leakage. The beveled edges protect the hose from damage.

The Supra CT clamp complies fully with the RoHs directive EU 20032/95/EC dated 1st July 2006. This clamp is generally fitted in high-powered diesel engines in construction machinery, trucks, buses, marine engines, military vehicles and diesel-powered generators as well as in various other industrial applications where expansion and contraction cause assemblies using standard clamps to leak.

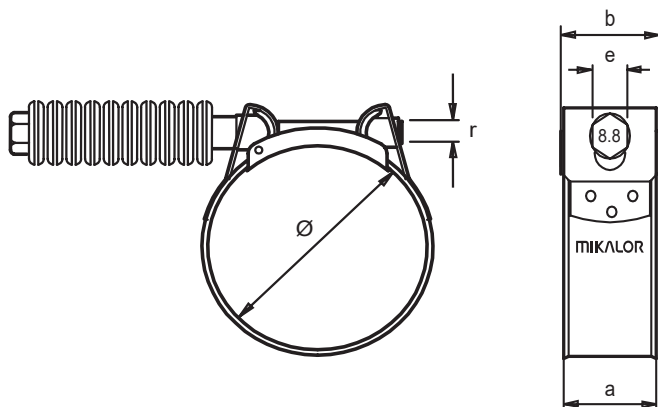
* The maximum application pressure can vary depending on the type of hose used and the geometry of the coupling.
Patented Worldwide.

Supra CT Heavy-Duty Clamp W4

Application Ø		Part n° W4	r	e	a	b	Max. Values* Torque (Nm)	Max. Values* Pressure (Bars)	Box Quantity (MOQ)	Packing
mm	inches									
25-27	1-1-1/16	43013059	M6	10	18 ⁺⁰²	19,8	4,5	45	50	400
27-29	1-1/16-15/32	43013067	M6	10	18 ⁺⁰²	19,8	4,5	45	50	200
29-31	1-5/32-1-7/32	43013075	M7	11	20 ⁺⁰³	220	8,0	42	50	50
31-34	17/32-1-11/32	43013083	M7	11	20 ⁺⁰³	22,0	8,0	42	50	50
34-37	1-11/32-1-29/64	43013091	M7	11	20 ⁺⁰³	220	8,0	40	50	50
37-40	1-29/64-1-9/16	43013104	M7	11	20 ⁺⁰³	22,0	8,0	40	50	50
40-43	1-9/16-1-11/16	43013112	M7	11	20 ⁺⁰³	22,0	8,0	38	50	50
43-47	1-11/16-1-27/32	43013120	M7	11	20 ⁺⁰³	22,0	10,0	38	50	50
47-51	1-27/32-2-1/64	43013139	M7	11	20 ⁺⁰³	22,0	10,0	36	50	50
51-55	2-1/64-2-11/64	43013147	M7	11	20 ⁺⁰³	22,0	10,0	36	25	25
55-59	2-11/64-2-21/64	43013155	M7	11	20 ⁺⁰³	22,0	10,0	34	25	25
59-63	2-21/64-2-31/64	43013163	M7	11	20 ⁺⁰³	22,0	10,0	34	25	25
63-68	2-31/64-2-11/16	43013171	M7	11	20 ⁺⁰³	22,0	10,0	34	25	25
68-73	2-11/16-3-7/8	43013180	M8	13	25 ⁺⁰⁴	27,5	25,0	28	25	25
73-79	3-7/8-3-7/64	43013198	M8	13	25 ⁺⁰⁴	27,5	25,0	28	25	25
79-85	3-7/64-3-11/32	43013200	M8	13	25 ⁺⁰⁴	27,5	25,0	28	25	25
85-91	3-11/32-3-37/64	43013219	M8	13	25 ⁺⁰⁴	27,5	25,0	20	25	25
91-97	3-37/64-3-13/16	43013227	M8	13	25 ⁺⁰⁴	27,5	25,0	20	25	25
97-104	3-13/16-4-3/32	43013235	M8	13	25 ⁺⁰⁴	27,5	25,0	20	25	25
104-112	4-3/32-4-3/8	43013243	M8	13	25 ⁺⁰⁴	27,5	25,0	12	25	25
112-121	4-3/8-4-49/64	43013251	M8	13	25 ⁺⁰⁴	27,5	25,0	12	25	25
121-130	4-49/64-5-1/8	43013260	M8	13	25 ⁺⁰⁴	27,5	25,0	12	25	25
130-140	5-1/8-5-33/64	43013278	M10	17	28 ⁺⁰⁴	31,0	50,0	9	10	10
140-150	5-33/64-5-29/32	43013286	M10	17	28 ⁺⁰⁴	31,0	50,0	9	10	10
150-162	5-29/32-6-3/8	43013294	M10	17	28 ⁺⁰⁴	31,0	50,0	9	10	10
162-174	6-3/8-6-7/8	43013307	M10	17	28 ⁺⁰⁴	31,0	50,0	6	10	10
174-187	6-7/8-7-23/64	43013315	M10	17	28 ⁺⁰⁴	31,0	50,0	6	10	10
187-200	7-23/64-7-7/8	43013323	M10	17	28 ⁺⁰⁴	31,0	50,0	6	10	10
200-213	7-7/8-8-25/64	43013331	M10	17	28 ⁺⁰⁴	31,0	50,0	3	10	10
213-226	8-25/64-8-57/64	43013340	M10	17	28 ⁺⁰⁴	31,0	50,0	3	10	10

W4 Band and Bridge: X5CrNi 1810 Stainless steel (DIN 1.4301) (AISI-304) (A2)
Trunions: Stainless steel (AISI-304)

Screw: Stainless steel (AISI-304) **Washers and**



Available Through:
BORSERINI SRL
 Via N. Sauro, 1
 I-23100 Sondrio SO • Italy
 Ph. +39 0342 209200 • E-mail: info@borserini.it