

Metal Air Cleaners

**Medium Dust Applications
Integral Pre-Cleaner
Primary Element Only**

Part Number	CFM @ 10" H ₂ O	m ³ /min @ 2.5 kPa
AH19107	70	1.98
AH19108	103	2.92
AH19109	167	4.73
AH19110	244	6.91
AH19063	170	4.81
AH19065	301	8.52
AH19268	287	8.13
AH19270	410	11.61
AH19069	574	16.26
AH19271	692	19.60
AH19073	1131	32.03
AH19075	1650	46.73

**Light Dust Applications
Primary Element Only**

Part Number	CFM @ 6" H ₂ O	m ³ /min @ 1.5 kPa
AH19077	331	9.37
AH19078	555	15.72
AH19079	805	22.80
AH19080	825	23.36

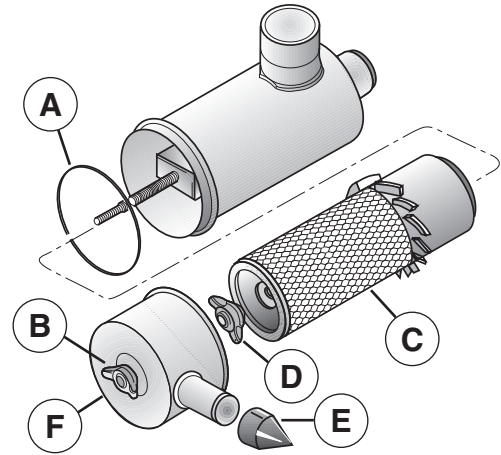
**Heavy or Medium Dust Applications
Integral Pre-Cleaner
Primary and Secondary Element**

Part Number	CFM @ 10" H ₂ O	m ³ /min @ 2.5 kPa
AH19062	114	3.23
AH19064	153	4.33
AH19066	251	7.11
AH19269	345	9.77
AH19070	406	11.50
AH19272	625	17.70
AH19259	821	23.25
AH19074	1098	31.10
AH19076	1600	45.31

Style 1

- AH19107 AH19063
- AH19108 AH19065
- AH19109 AH19069
- AH19110

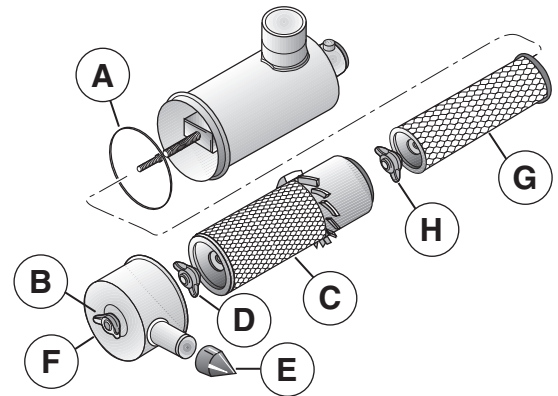
	Part
A	O-Ring
B	Wing Nut
C	Element
D	Wing Nut
E	Dust Ejector
F	Cover Assembly



Style 2

- AH19062
- AH19064
- AH19066
- AH19268
- AH19070

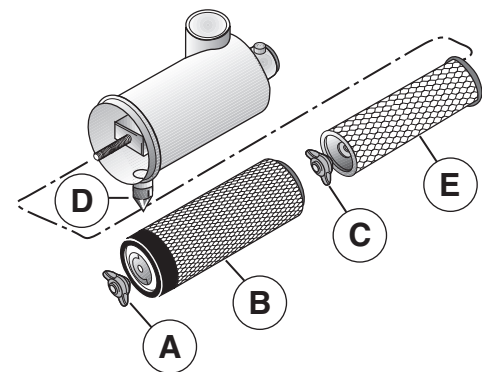
	Part
A	O-Ring
B	Wing Nut
C	Element
D	Wing Nut
E	Dust Ejector
F	Cover Assembly
G	Secondary Element
H	Wing Nut

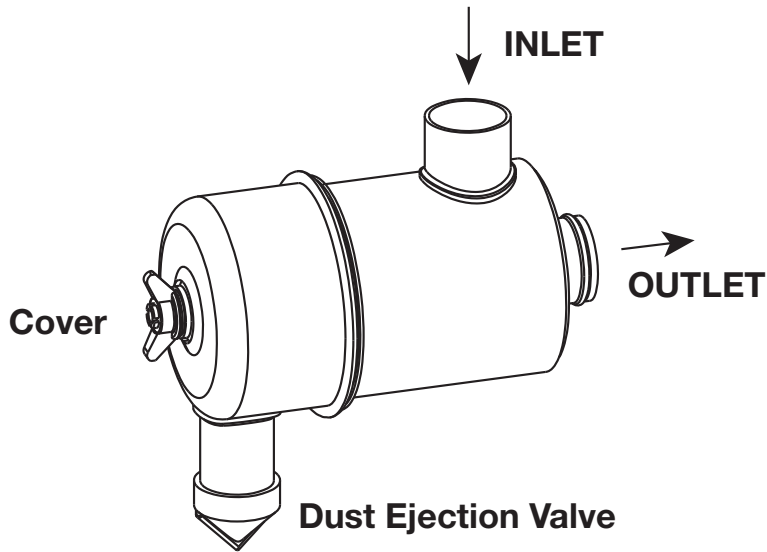


Style 3

- AH19073 AH19259
- AH19074 AH19269
- AH19075 AH19270
- AH19076 AH19271
- AH19077 AH19272
- AH19078
- AH19079
- AH19080

	Part
A	Wing Nut
B	Element
C	Wing Nut
D	Dust Ejector
E	Secondary Element





Specifications

Specification	AH19107
Length Overall	8.5" (216.0 mm)
Body OD	4.38" (111.3 mm)
Flow, Min. (2" Restriction)	31 CFM (0.9 m ³ /min)
Flow, Max. (12" Restriction)	76 CFM (2.2 m ³ /min)
Secondary Element	No
Housing Material	Metal
Pre-cleaner Integral	Yes
Filter Efficiency	≥ 99.90% per ISO 5011

Dust Holding Capacity per Cummins® Specification

Specification	AH19107
Allowable Flow for 3 g/CFM	< 75 CFM (2.1 m ³ /min)
Allowable Flow for 10 g/CFM	< 58 CFM (1.6 m ³ /min)
Allowable Flow for 25 g/CFM	< 40 CFM (1.1 m ³ /min)

Specifications subject to change without notice.

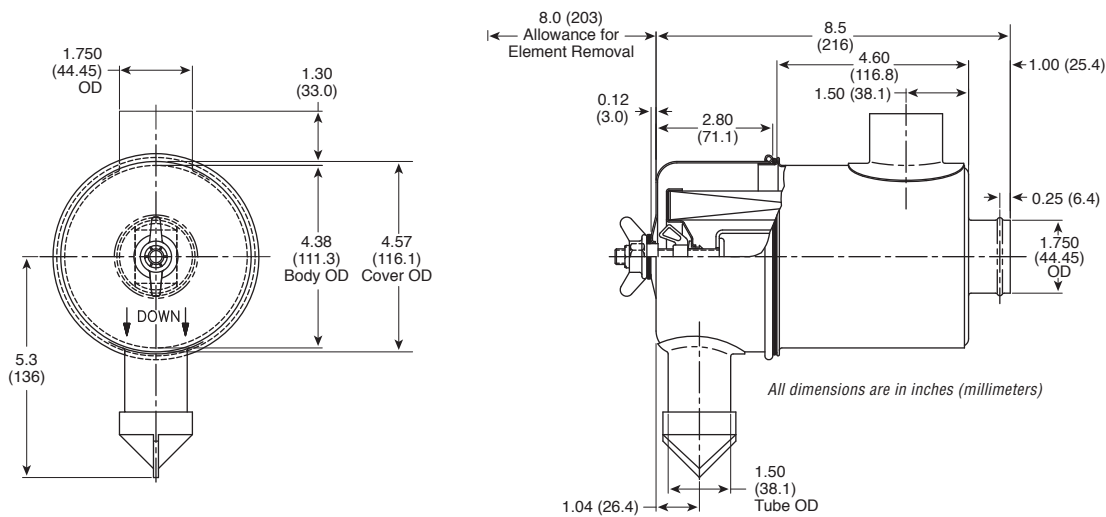
Ordering Information

Air Cleaner	
Part Number	Description
AH19107	Metal Air Cleaner

Accessories	
Part Number	Description
3918218 S	Mounting Bracket
1	No. of Brackets Required
N/A	Outlet Band Clamps
3918195S	Weather Hood
N/A	Hump-Hose
N/A	90° Elbow
N/A	90° Reducing Elbow
N/A	Restriction Indicator

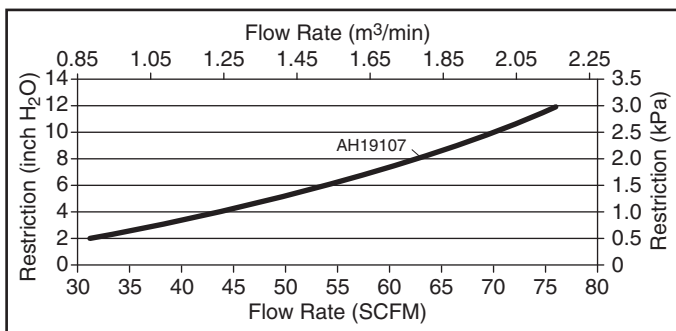
Service Parts	
Part Number	Description
AF1658K	Primary Element
N/A	Magnum Primary Element
N/A	Secondary Element
3946457S	Dust Ejection Valve
3955486S	Wing Nut/Clips
3955491S	
3955467S	Cover Assembly

Dimensions

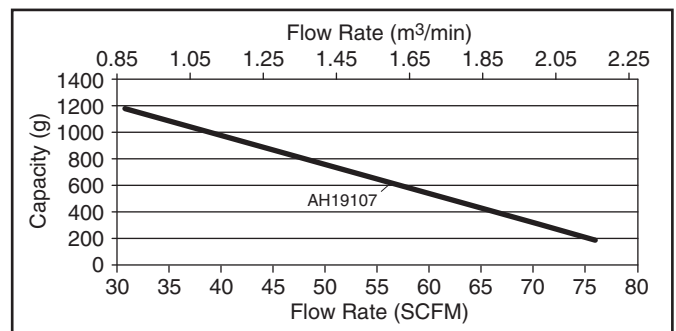


Performance

System Restriction vs Flow Rate



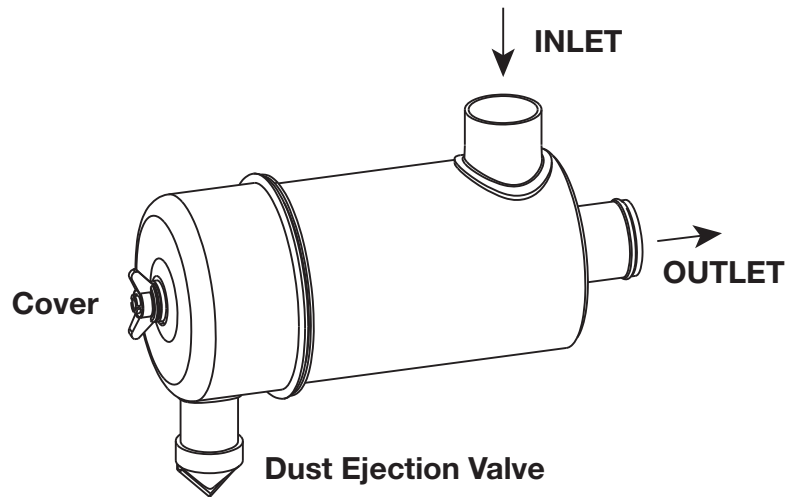
Typical System Capacity vs Flow Rate



Restriction		Flow Rate		Typical Capacity
in H ₂ O	kPa	CFM	m³/min	grams
6	1.5	54	1.53	680
8	2.0	62	1.76	495
10	2.5	70	1.98	332
12	3.0	76	2.15	184

ISO Coarse Dust
 2.0 g/m³ Feed Rate
 6.25 kPa (25" H₂O) Terminal Restriction





Specifications

Specification	AH19108
Length Overall	12.9" (326.4 mm)
Body OD	5.3" (133.4 mm)
Flow, Min. (2" Restriction)	44 CFM (1.3 m ³ /min)
Flow, Max. (12" Restriction)	113 CFM (3.2 m ³ /min)
Secondary Element	No
Housing Material	Metal
Pre-cleaner Integral	Yes
Filter Efficiency	≥ 99.90% per ISO 5011

Dust Holding Capacity per Cummins® Specification

Specification	AH19108
Allowable Flow for 10 g/CFM	< 96 CFM (2.7 m ³ /min)
Allowable Flow for 25 g/CFM	< 68 CFM (1.9 m ³ /min)

Specifications subject to change without notice.

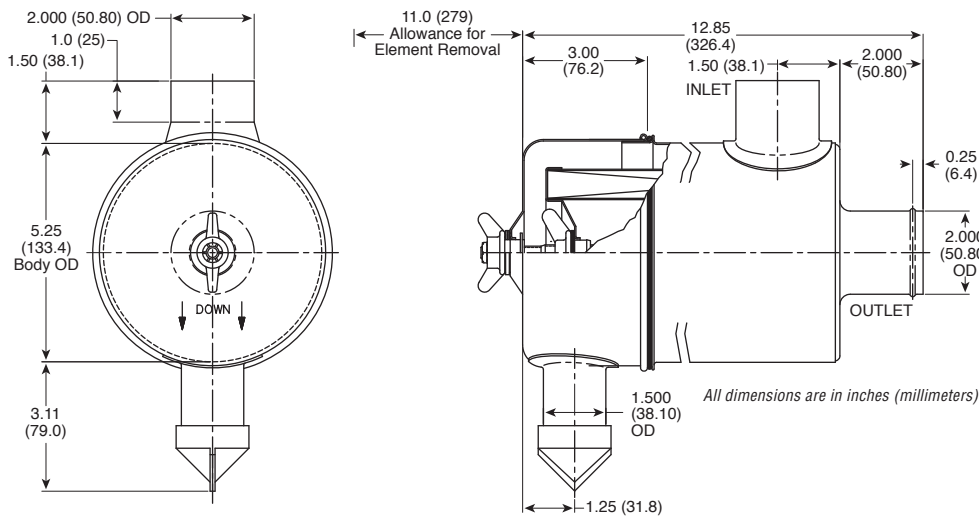
Ordering Information

Air Cleaner	
Part Number	Description
AH19108	Metal Air Cleaner

Accessories	
Part Number	Description
39183219S	Mounting Bracket
2	No. of Brackets Required
3316653S	Outlet Band Clamps
3918200S	Weather Hood
N/A	Hump-Hose
3316564S	90° Elbow
N/A	90° Reducing Elbow
N/A	Restriction Indicator

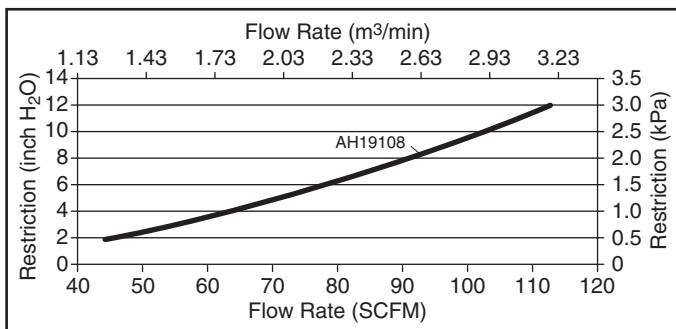
Service Parts	
Part Number	Description
AF25543K	Primary Element
N/A	Magnum Primary Element
N/A	Secondary Element
3946457S	Dust Ejection Valve
3955488S	Wing Nut/Clips
3955489S	
3955472S	Cover Assembly

Dimensions

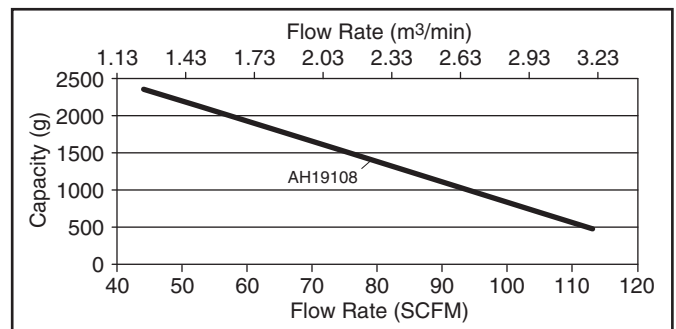


Performance

System Restriction vs Flow Rate



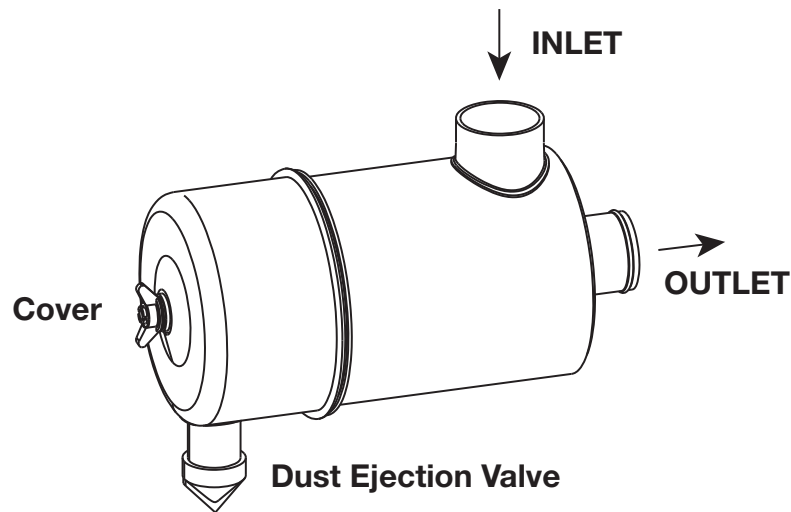
Typical System Capacity vs Flow Rate



Restriction		Flow Rate		Typical Capacity
in H ₂ O	kPa	CFM	m³/min	grams
6	1.5	78	2.21	1434
8	2.0	91	2.58	1088
10	2.5	103	2.92	770
12	3.0	113	3.20	484

ISO Coarse Dust
 2.0 g/m³ Feed Rate
 6.25 kPa (25" H₂O) Terminal Restriction





Specifications

Specification	AH19109
Length Overall	13.7" (346.7 mm)
Body OD	6.6" (166.4 mm)
Flow, Min. (2" Restriction)	71 CFM (2.0 m ³ /min)
Flow, Max. (12" Restriction)	184 CFM (5.2 m ³ /min)
Secondary Element	No
Housing Material	Metal
Pre-cleaner Integral	Yes
Filter Efficiency	≥ 99.90% per ISO 5011

Dust Holding Capacity per Cummins® Specification

Specification	AH19109
Allowable Flow for 3 g/CFM	< 180 CFM (5.1 m ³ /min)
Allowable Flow for 10 g/CFM	< 145 CFM (4.1 m ³ /min)
Allowable Flow for 25 g/CFM	< 103 CFM (2.9 m ³ /min)

Specifications subject to change without notice.

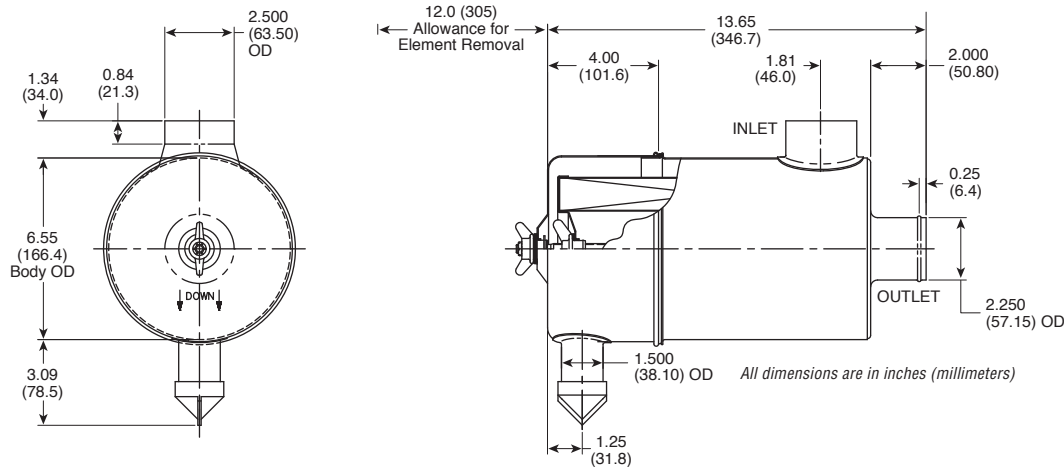
Ordering Information

Air Cleaner	
Part Number	Description
AH19109	Metal Air Cleaner

Accessories	
Part Number	Description
3918220S	Mounting Bracket
2	No. of Brackets Required
3316653S	Outlet Band Clamps
3918201S	Weather Hood
N/A	Hump-Hose
N/A	90° Elbow
N/A	90° Reducing Elbow
N/A	Restriction Indicator

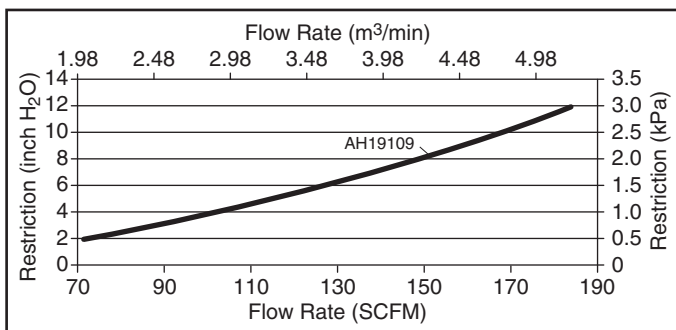
Service Parts	
Part Number	Description
AF437K	Primary Element
AF437KM	Magnum Primary Element
N/A	Secondary Element
3946457S	Dust Ejection Valve
3955488S 3955489S	Wing Nut/Clips
3955470S	Cover Assembly

Dimensions

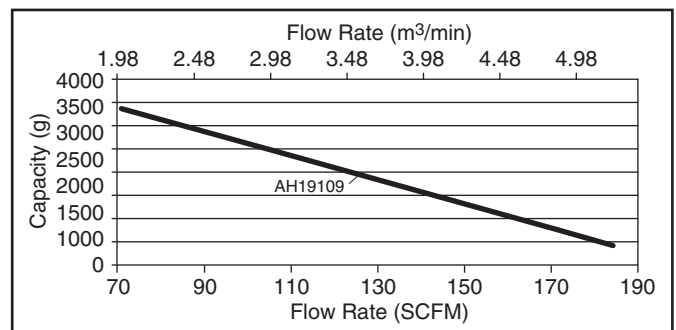


Performance

System Restriction vs Flow Rate



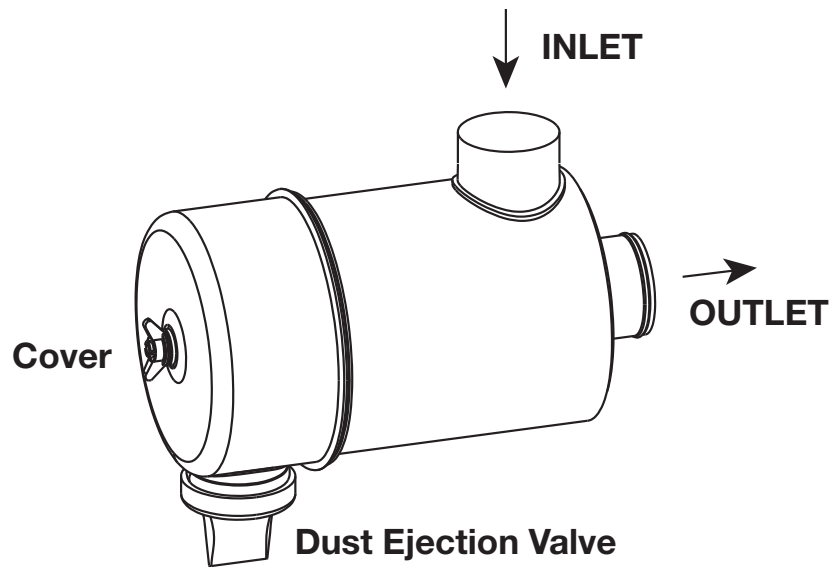
Typical System Capacity vs Flow Rate



Restriction		Flow Rate		Typical Capacity
in H ₂ O	kPa	CFM	m ³ /min	grams
6	1.5	127	3.60	1918
8	2.0	148	4.19	1369
10	2.5	167	4.73	881
12	3.0	184	5.21	438

ISO Coarse Dust
2.0 g/m³ Feed Rate
6.25 kPa (25" H₂O) Terminal Restriction





Specifications

Specification	AH19110
Length Overall	14.5" (369.6 mm)
Body OD	7.9" (200.4 mm)
Flow, Min. (2" Restriction)	108 CFM (3.1 m ³ /min)
Flow, Max. (12" Restriction)	267 CFM (7.6 m ³ /min)
Secondary Element	No
Housing Material	Metal
Pre-cleaner Integral	Yes
Filter Efficiency	≥ 99.90% per ISO 5011

Dust Holding Capacity per Cummins® Specification

Specification	AH19110
Allowable Flow for 10 g/CFM	< 246 CFM (7.0 m ³ /min)
Allowable Flow for 25 g/CFM	< 165 CFM (4.7 m ³ /min)

Specifications subject to change without notice.

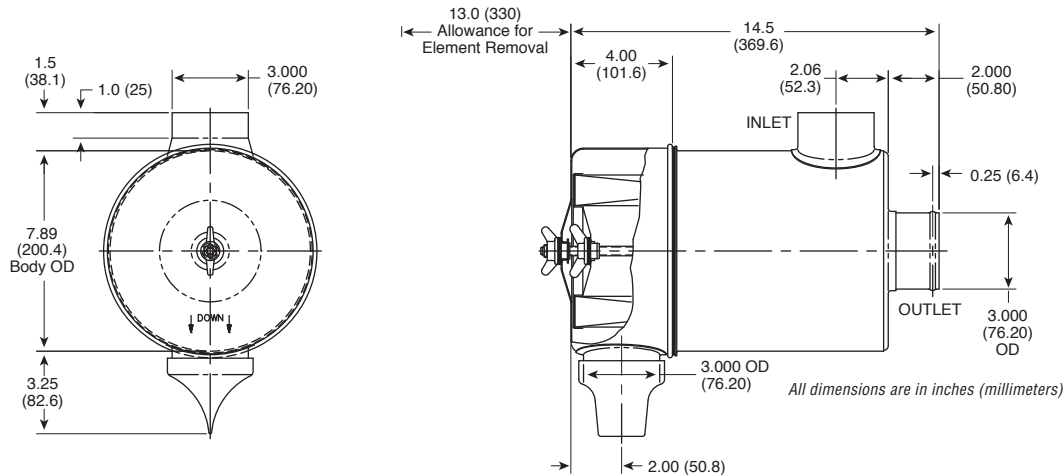
Ordering Information

Air Cleaner	
Part Number	Description
AH19110	Metal Air Cleaner

Accessories	
Part Number	Description
3918222S	Mounting Bracket
2	No. of Brackets Required
3316656S	Outlet Band Clamps
3918202S	Weather Hood
3316606S	Hump-Hose
3316566S	90° Elbow
N/A	90° Reducing Elbow
N/A	Restriction Indicator

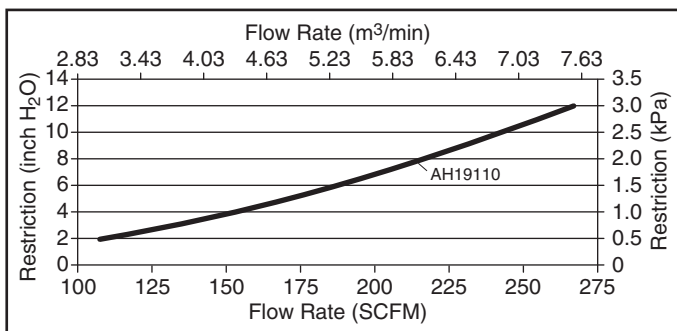
Service Parts	
Part Number	Description
AF409K	Primary Element
AF409KM	Magnum Primary Element
N/A	Secondary Element
Q06316	Dust Ejection Valve
3955488S 3955489S	Wing Nut/Clips
3955469S	Cover Assembly

Dimensions

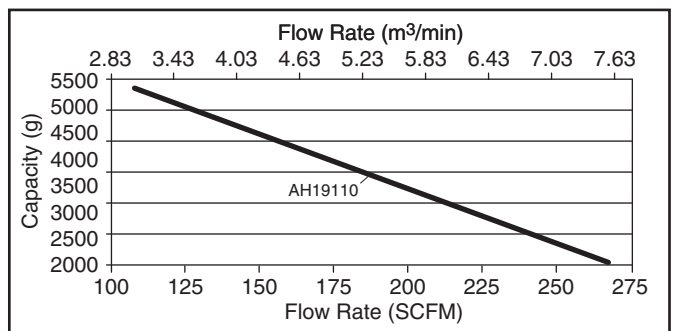


Performance

System Restriction vs Flow Rate



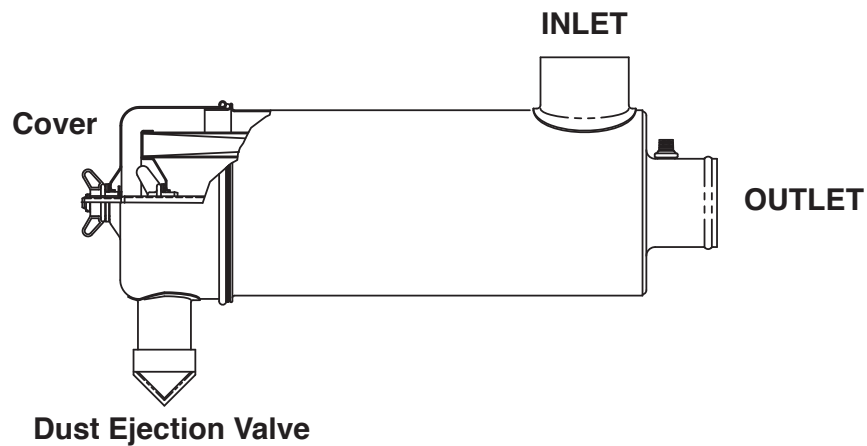
Typical System Capacity vs Flow Rate



Restriction		Flow Rate		Typical Capacity
in H ₂ O	kPa	CFM	m³/min	grams
6	1.5	188	5.32	3664
8	2.0	218	6.17	3055
10	2.5	244	6.91	2518
12	3.0	267	7.56	2031

ISO Coarse Dust
2.0 g/m³ Feed Rate
6.25 kPa (25" H₂O) Terminal Restriction





Specifications

Specification	AH19062
Length Overall	16.9" (429.0 mm)
Body OD, Max.	5.3" (200.4 mm)
Flow, Min. (2" Restriction)	48 CFM (1.4 m ³ /min)
Flow, Max. (12" Restriction)	125 CFM (35 m ³ /min)
Secondary Element	Yes
Housing Material	Metal
Pre-cleaner Integral	Yes
Filter Efficiency	≥ 99.90% per ISO 5011

Dust Holding Capacity per Cummins® Specification

Specification	AH19062
Allowable Flow for 10 g/CFM	< 102 CFM (2.9 m ³ /min)
Allowable Flow for 25 g/CFM	< 72 CFM (2.0 m ³ /min)

Specifications subject to change without notice.

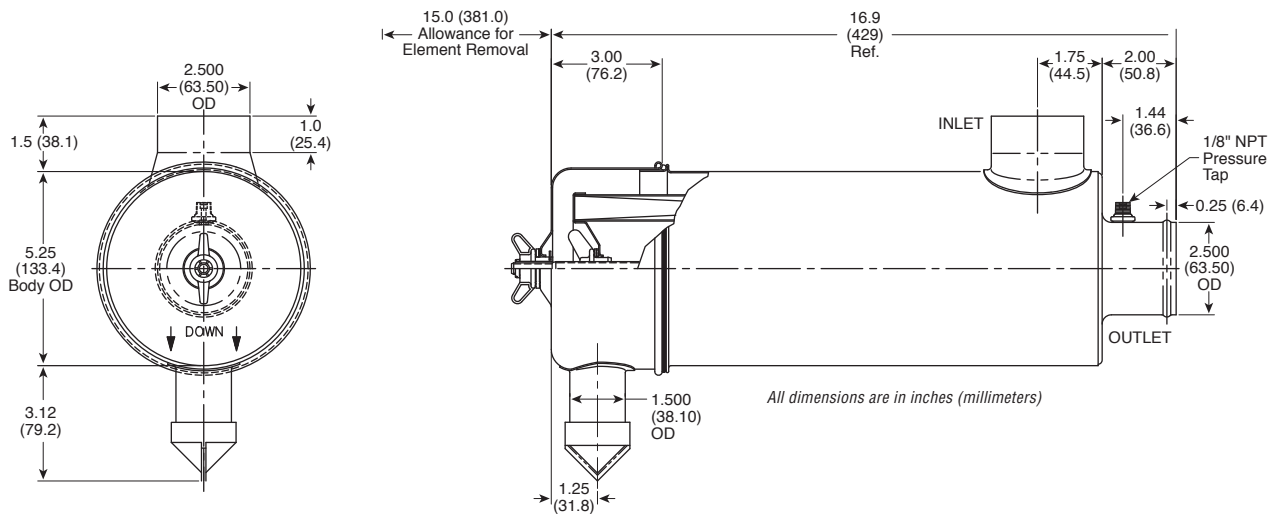
Ordering Information

Air Cleaners	
Part Number	Description
AH19062	Metal Air Cleaner – with Secondary Element

Accessories	
Part Number	Description
3918219 S	Mounting Bracket
2	No. of Brackets Required
3316654 S	Outlet Band Clamps
3918201 S	Weather Hood
N/A	Hump-Hose
3316565 S	90° Elbow
N/A	90° Reducing Elbow
3946326 S	Restriction Indicator

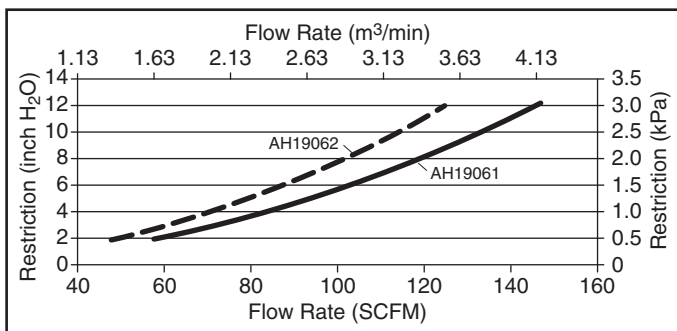
Service Parts	
Part Number	Description
AF1823K	Primary Element
N/A	Magnum Primary Element
AF26118	Secondary Element
3946457S	Dust Ejection Valve
3955488S 3955489S	Wing Nut/Clips
3955468S	Cover Assembly

Dimensions

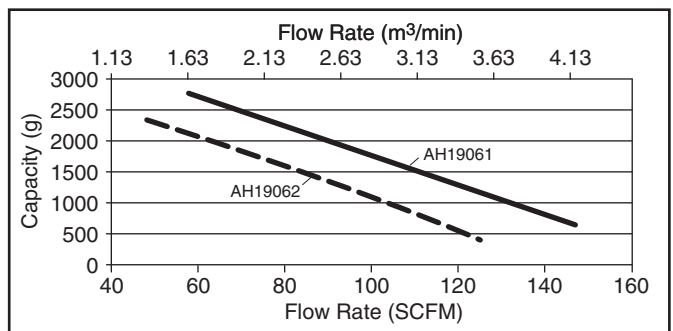


Performance

System Restriction vs Flow Rate



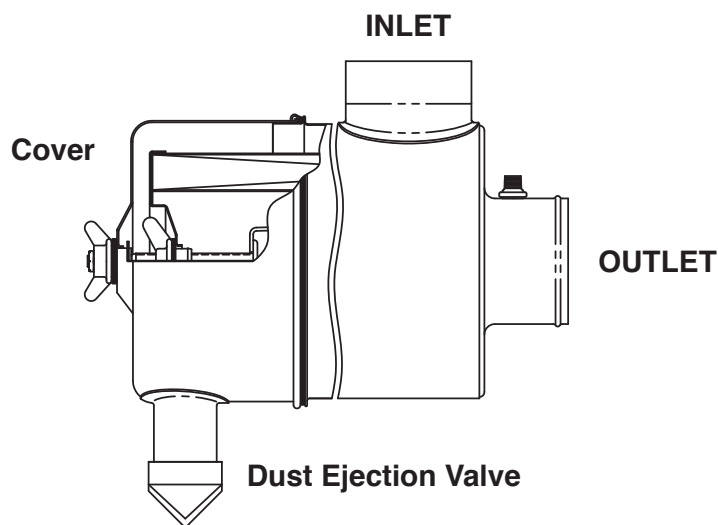
Typical System Capacity vs Flow Rate



Restriction		Flow Rate () = with Secondary		Typical Capacity () = with Secondary
in H ₂ O	kPa	CFM	m³/min	grams
6	1.5	103 (88)	2.92 (2.49)	1691 (1390)
8	2.0	119 (102)	3.37 (2.89)	1307 (1029)
10	2.5	134 (114)	3.79 (3.23)	969 (699)
12	3.0	147 (125)	4.16 (3.54)	662 (391)

ISO Coarse Dust
2.0 g/m³ Feed Rate
6.25 kPa (25" H₂O) Terminal Restriction





Specifications

Specification	AH19063	AH19064
Length Overall	17.7" (448.0 mm)	17.7" (448.0 mm)
Body OD, Max.	6.6" (166.4 mm)	6.6" (166.4 mm)
Flow, Min. (2" Restriction)	72 CFM (2.0 m ³ /min)	65 CFM (1.8 m ³ /min)
Flow, Max. (12" restriction)	188 CFM (5.3 m ³ /min)	168 CFM (4.8 m ³ /min)
Secondary Element	No	Yes
Housing Material	Metal	Metal
Pre-cleaner Integral	Yes	Yes
Filter Efficiency	≥ 99.90% per ISO 5011	≥ 99.90% per ISO 5011

Dust Holding Capacity per Cummins® Specification

Specification	AH19063	AH19064
Allowable Flow for 10 g/CFM	<184 CFM (5.2 m ³ /min)	< 159 CFM (4.5 m ³ /min)
Allowable Flow for 25 g/CFM	< 143 CFM (4.0 m ³ /min)	<123 CFM (3.5 m ³ /min)

Specifications subject to change without notice.

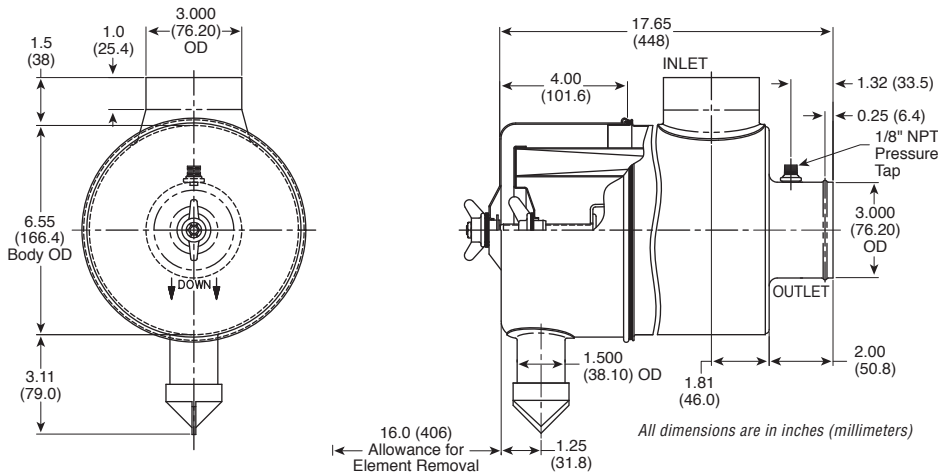
Ordering Information

Air Cleaners	
Part Number	Description
AH19063	Metal Air Cleaner – without Secondary Element
AH19064	Metal Air Cleaner – with Secondary Element

Accessories	
Part Number	Description
3918220S	Mounting Bracket
2	No. of Brackets Required
3316656S	Outlet Band Clamps
3918202S	Weather Hood
3316606S	Hump-Hose
3316566S	90° Elbow
N/A	90° Reducing Elbow
3946326S	Restriction Indicator

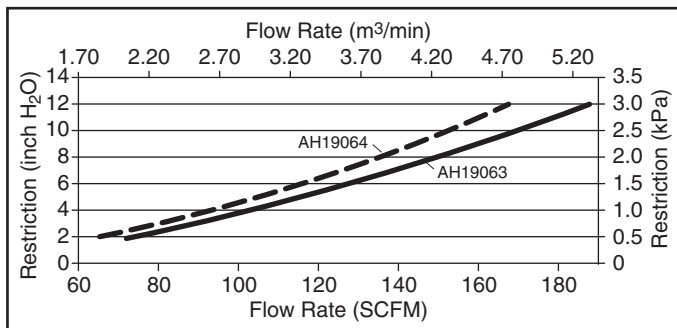
Service Parts	
Part Number	Description
AF1606K	Primary Element
AF1606KM	Magnum Primary Element
AF1982	Secondary Element
3946457S	Dust Ejection Valve
3955488S 3955489S	Wing Nut/Clips
3955470S	Cover Assembly

Dimensions

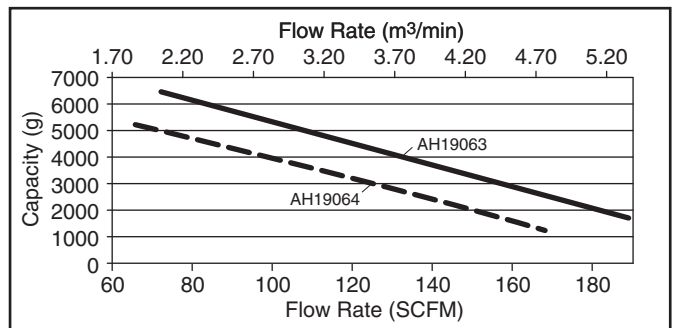


Performance

System Restriction vs Flow Rate



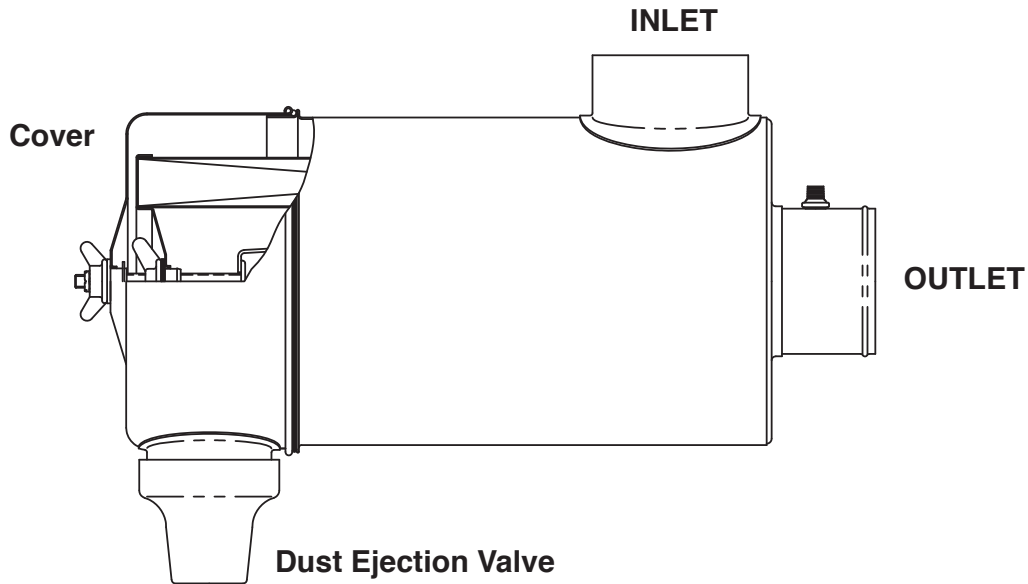
Typical System Capacity vs Flow Rate



Restriction		Flow Rate () = with Secondary		Typical Capacity () = with Secondary
in H ₂ O	kPa	CFM	m ³ /min	grams
6	1.5	128 (116)	3.62 (3.29)	4159 (3316)
8	2.0	150 (135)	4.25 (3.82)	3258 (2552)
10	2.5	170 (153)	4.81 (4.33)	2450 (1850)
12	3.0	188 (168)	5.32 (4.76)	1710 (1192)

ISO Coarse Dust
2.0 g/m³ Feed Rate
6.25 kPa (25" H₂O) Terminal Restriction





Specifications

Specification	AH19065	AH19066
Length Overall	16.1" (458.5 mm)	16.1" (458.5 mm)
Body OD, Max.	7.9" (200.4 mm)	7.9" (200.4 mm)
Flow, Min. (2" Restriction)	130 CFM (3.7 m ³ /min)	105 CFM (3.0 m ³ /min)
Flow, Max. (12" Restriction)	331 CFM (9.4 m ³ /min)	280 CFM (7.9 m ³ /min)
Secondary Element	No	Yes
Housing Material	Metal	Metal
Pre-cleaner Integral	Yes	Yes
Filter Efficiency	≥ 99.90% per ISO 5011	≥ 99.90% per ISO 5011

Dust Holding Capacity per Cummins® Specification

Specification	AH19065	AH19066
Allowable Flow for 10 g/CFM	< 331 CFM (9.4 m ³ /min)*	< 280 CFM (7.9 m ³ /min)*
Allowable Flow for 25 g/CFM	< 256 CFM (7.3 m ³ /min)	< 240 CFM (6.8 m ³ /min)

* Flow rate limited by restriction.

Specifications subject to change without notice.

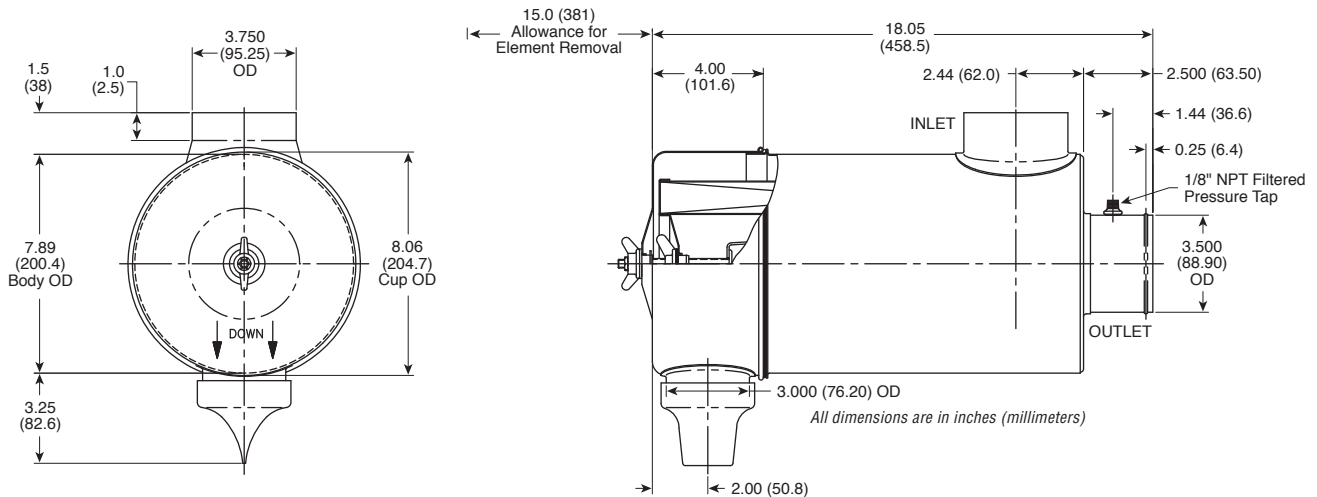
Ordering Information

Air Cleaners	
Part Number	Description
AH19065	Metal Air Cleaner – without Secondary Element
AH19066	Metal Air Cleaner – with Secondary Element

Accessories	
Part Number	Description
3918222S	Mounting Bracket
2	No. of Brackets Required
3316657S	Outlet Band Clamps
3918203S	Weather Hood
3316607S	Hump-Hose
3316567S	90° Elbow
N/A	90° Reducing Elbow
3946326S	Restriction Indicator

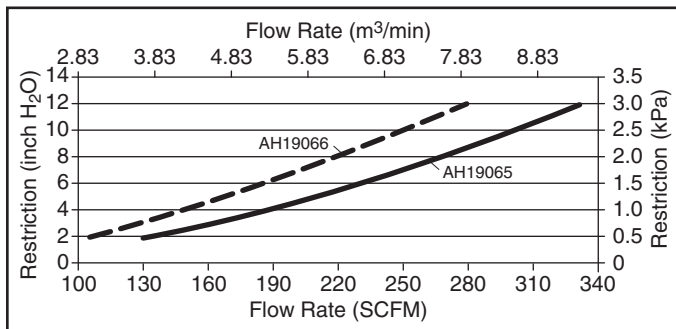
Service Parts	
Part Number	Description
AF4059K	Primary Element
N/A	Magnum Primary Element
AF4103	Secondary Element
Q06316	Dust Ejection Valve
3955488S 3955489S	Wing Nut/Clips
3955469S	Cover Assembly

Dimensions

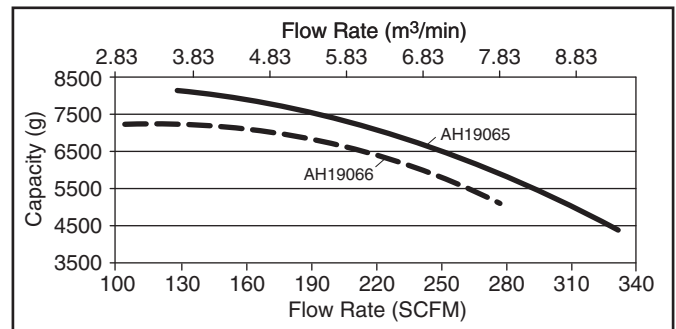


Performance

System Restriction vs Flow Rate



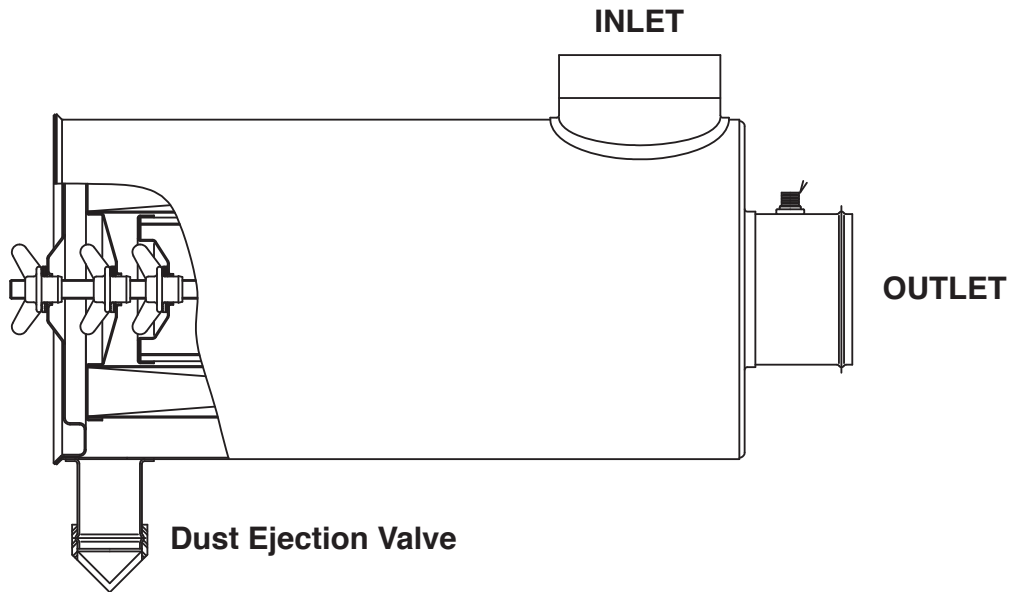
Typical System Capacity vs Flow Rate



Restriction		Flow Rate () = with Secondary		Typical Capacity () = with Secondary
in H ₂ O	kPa	CFM	m ³ /min	grams
6	1.5	230 (185)	6.51 (5.24)	6927 (6897)
8	2.0	268 (219)	7.59 (6.20)	6146 (6415)
10	2.5	301 (251)	8.52 (7.11)	5302 (5787)
12	3.0	331 (280)	9.37 (7.93)	4412 (5042)

ISO Coarse Dust
2.0 g/m³ Feed Rate
6.25 kPa (25" H₂O) Terminal Restriction





Specifications

Specification	AH19268
Length Overall	16.0" (406.7 mm)
Body OD, Max.	7.9" (200.4 mm)
Flow, Min. (2" Restriction)	140 CFM (4.0 m ³ /min)
Flow, Max. (12" Restriction)	317 CFM (9.0 m ³ /min)
Secondary Element	No
Housing Material	Metal
Pre-cleaner Integral	Yes
Filter Efficiency	≥ 99.90% per ISO 5011

Dust Holding Capacity per Cummins® Specification

Specification	AH19268
Allowable Flow for 10 g/CFM	< 317 CFM (9.0 m ³ /min)*
Allowable Flow for 25 g/CFM	< 223 CFM (6.3 m ³ /min)

* Flow rate limited by restriction. Specifications subject to change without notice.

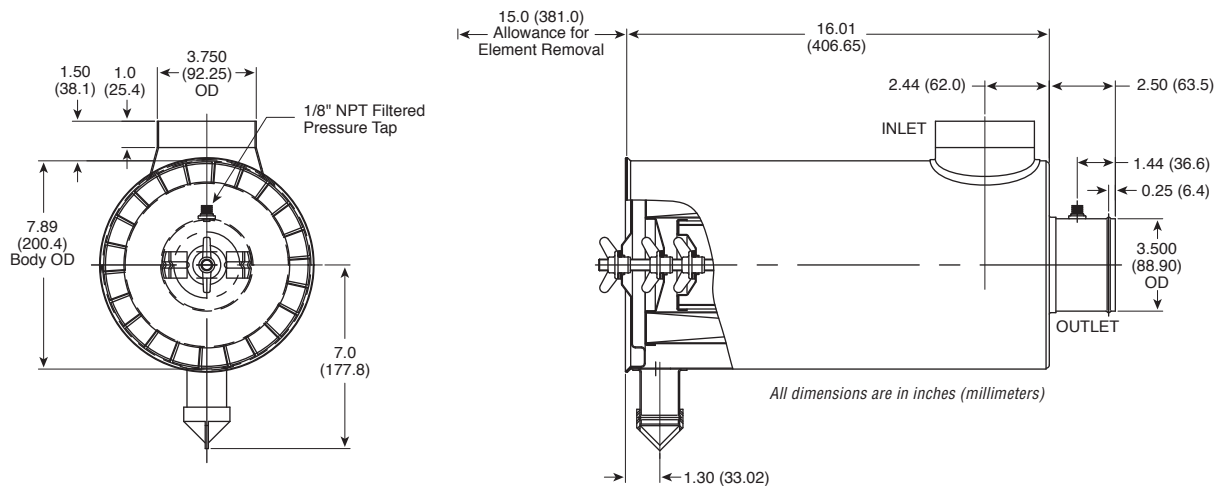
Ordering Information

Air Cleaners	
Part Number	Description
AH19268	Metal Air Cleaner - without Secondary Element

Accessories	
Part Number	Description
3918222S	Mounting Bracket
2	No. of Brackets Required
3316657S	Outlet Band Clamps
3918203S	Weather Hood
3316607S	Hump-Hose
3316567S	90° Elbow
N/A	90° Reducing Elbow
3946326S	Restriction Indicator

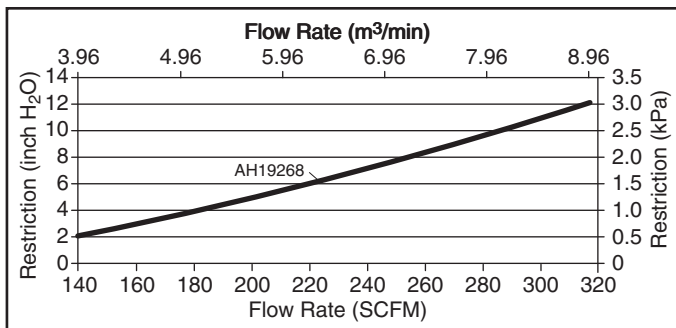
Service Parts	
Part Number	Description
AF4059K	Primary Element
N/A	Magnum Primary Element
AF4103	Secondary Element
3946457S	Dust Ejection Valve
3955485S	Wing Nut/Clips
3955463S	Cover Assembly

Dimensions

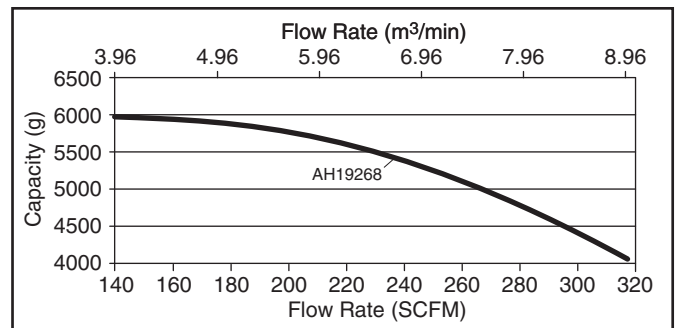


Performance

System Restriction vs Flow Rate



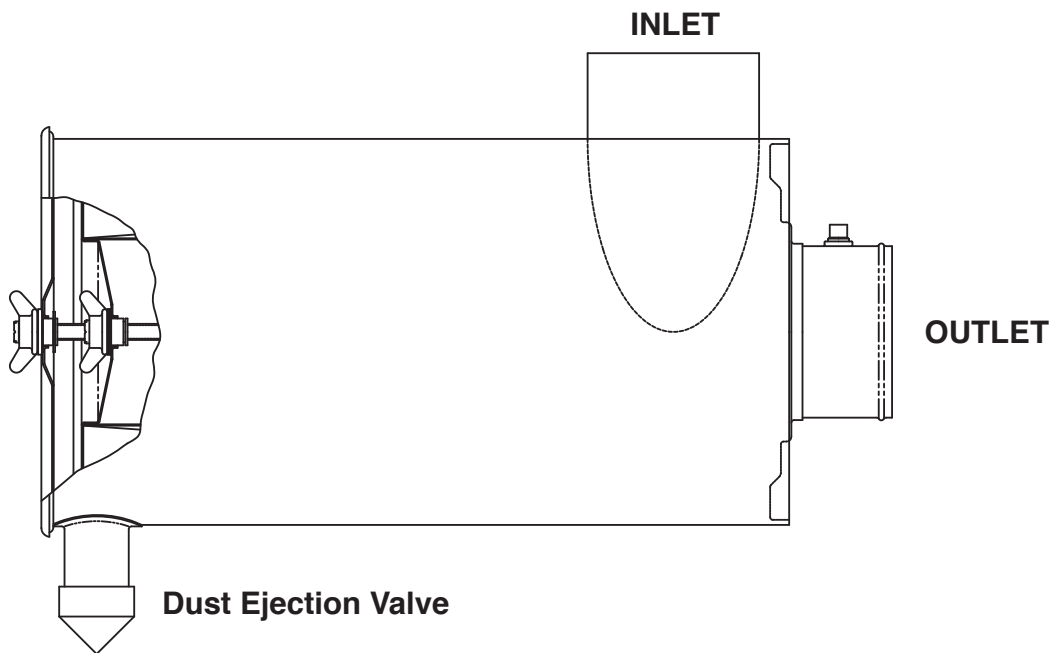
Typical System Capacity vs Flow Rate



Restriction		Flow Rate		Typical Capacity
in H ₂ O	kPa	CFM	m³/min	grams
6	1.5	221	6.26	5598
8	2.0	255	7.22	5187
10	2.5	287	8.13	4675
12	3.0	317	8.98	4083

ISO Coarse Dust
2.0 g/m³ Feed Rate
6.25 kPa (25" H₂O) Terminal Restriction





Specifications

Specification	AH19270	AH19269
Length Overall	20.1" (519.4 mm)	20.1" (519.4 mm)
Body OD, Max.	9.0" (227.33 mm)	9.0" (227.3 mm)
Flow, Min. (2" Restriction)	180 CFM (5.1 m ³ /min)	150 CFM (4.2 m ³ /min)
Flow, Max. (12" Restriction)	460 CFM (13.0 m ³ /min)	383 CFM (10.9 m ³ /min)
Secondary Element	No	No
Housing Material	Metal	Metal
Pre-cleaner Integral	Yes	Yes
Filter Efficiency	≥ 99.90% per ISO 5011	≥ 99.90% per ISO 5011

Dust Holding Capacity per Cummins® Specification

Specification	AH19270	AH19269
Allowable Flow for 10 g/CFM	< 403 CFM (11.4 m ³ /min)	< 368 CFM (10.4 m ³ /min)
Allowable Flow for 25 g/CFM	< 279 CFM (7.9 m ³ /min)	< 269 CFM (7.6 m ³ /min)

Specifications subject to change without notice.

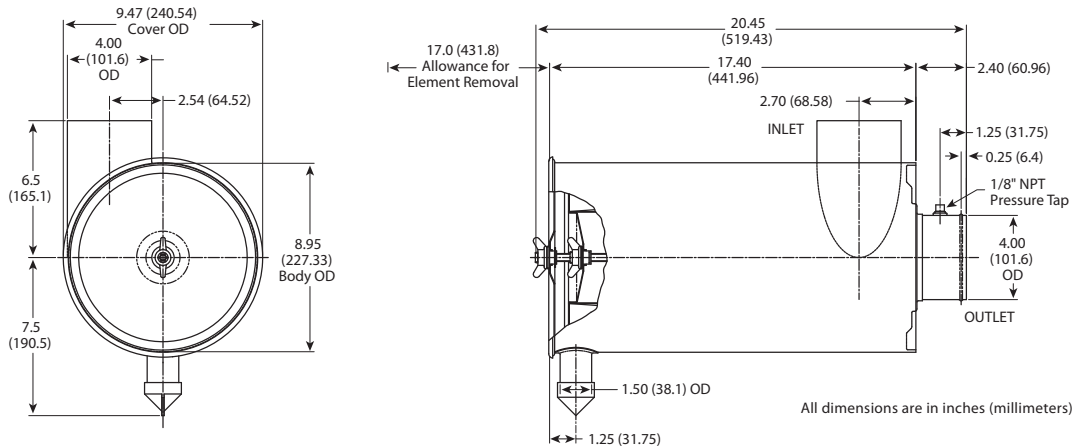
Ordering Information

Air Cleaners	
Part Number	Description
AH19270	Metal Air Cleaner – without Secondary Element
AH19269	Metal Air Cleaner – with Secondary Element

Accessories	
Part Number	Description
3918225S	Mounting Bracket
2	No. of Brackets Required
3316658S	Outlet Band Clamps
3918204S	Weather Hood
3316608S	Hump-Hose
3316568S	90° Elbow
N/A	90° Reducing Elbow
3946326S	Restriction Indicator

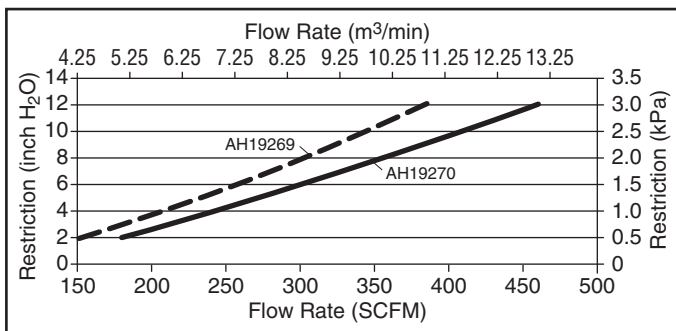
Service Parts	
Part Number	Description
AF1735K	Primary Element
N/A	Magnum Primary Element
AF4150	Secondary Element
Q06316	Dust Ejection Valve
3955484S 3955481S	Wing Nut/Clips
3955461S	Cover Assembly

Dimensions

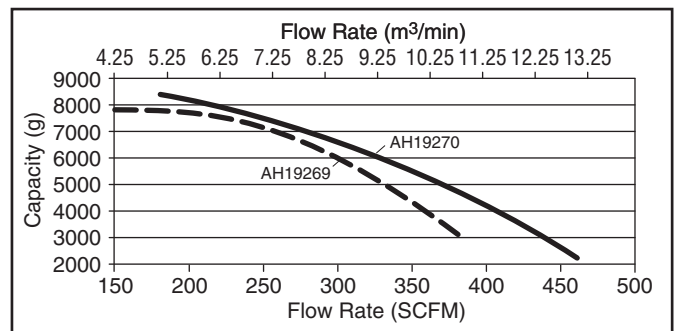


Performance

System Restriction vs Flow Rate

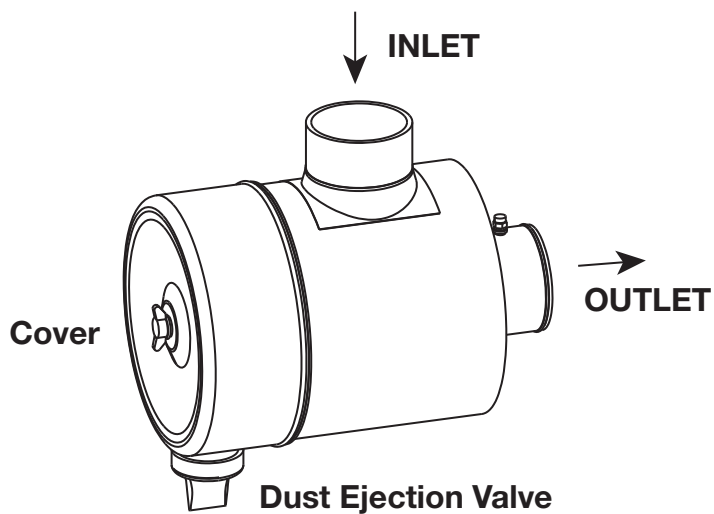


Typical System Capacity vs Flow Rate



Restriction		Flow Rate () = with Secondary		Typical Capacity () = with Secondary
in H ₂ O	kPa	CFM	m³/min	grams
6	1.5	302 (259)	8.55 (7.33)	6924 (6510)
8	2.0	358 (304)	10.14 (8.61)	5864 (5245)
10	2.5	410 (345)	11.61 (9.77)	4550 (3812)
12	3.0	460(383)	13.03 (10.85)	2236 (3042)

ISO Coarse Dust
2.0 g/m³ Feed Rate
6.25 kPa (25" H₂O) Terminal Restriction



Specifications

Specification	AH19069	AH19070
Length Overall	18.5" (469.4 mm)	18.5" (469.4 mm)
Body OD, Max.	12.1" (306.6 mm)	12.1" (306.6 mm)
Flow, Min. (2" Restriction)	240 CFM (6.8 m ³ /min)	175 CFM (5.0 m ³ /min)
Flow, Max. (12" Restriction)	631 CFM (17.9 m ³ /min)	447 CFM (12.7 m ³ /min)
Secondary Element	No	Yes
Housing Material	Metal	Metal
Pre-cleaner Integral	Yes	Yes
Filter Efficiency	≥ 99.90% per ISO 5011	≥ 99.90% per ISO 5011

Dust Holding Capacity per Cummins® Specification

Specification	AH19069	AH19070
Allowable Flow for 3 g/CFM	< 615 CFM (17.4 m ³ /min)	< 441 CFM (12.5 m ³ /min)
Allowable Flow for 10 g/CFM	< 495 CFM (14.0 m ³ /min)	< 441 CFM (12.5 m ³ /min)
Allowable Flow for 25 g/CFM	< 329 CFM (9.3 m ³ /min)	< 320 CFM (9.1 m ³ /min)

Specifications subject to change without notice.

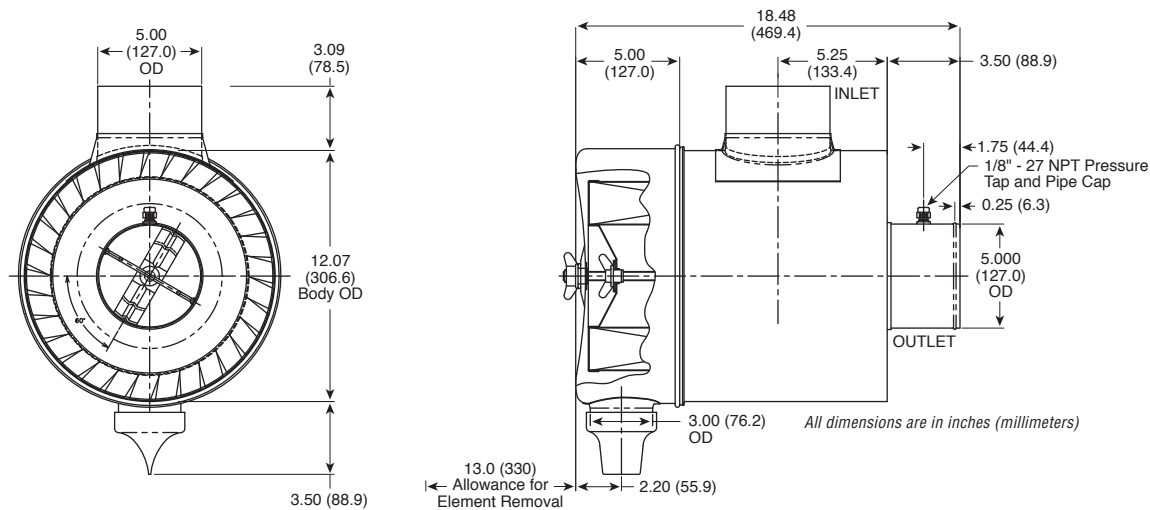
Ordering Information

Air Cleaners	
Part Number	Description
AH19069	Metal Air Cleaner – without Secondary Element
AH19070	Metal Air Cleaner – with Secondary Element

Accessories	
Part Number	Description
3918231S	Mounting Bracket
2	No. of Brackets Required
3316660S	Outlet Band Clamps
3918205S	Weather Hood
3316610S	Hump-Hose
3316570S	90° Elbow
N/A	90° Reducing Elbow
3946326S	Restriction Indicator

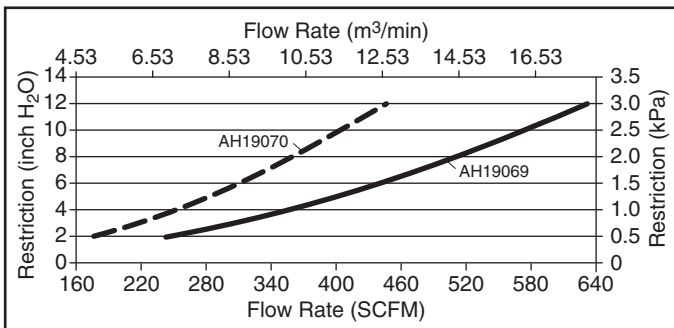
Service Parts	
Part Number	Description
AF418	Primary Element
AF418M	Magnum Primary Element
AF490M	Secondary Element
Q06316	Dust Ejection Valve
3955482S	Wing Nut/Clips
3955487S	
3955466S	Cover Assembly

Dimensions

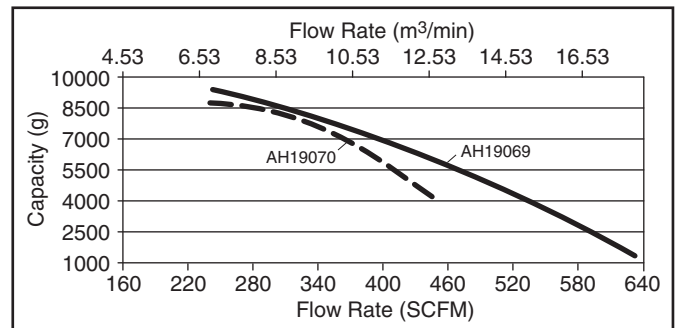


Performance

System Restriction vs Flow Rate



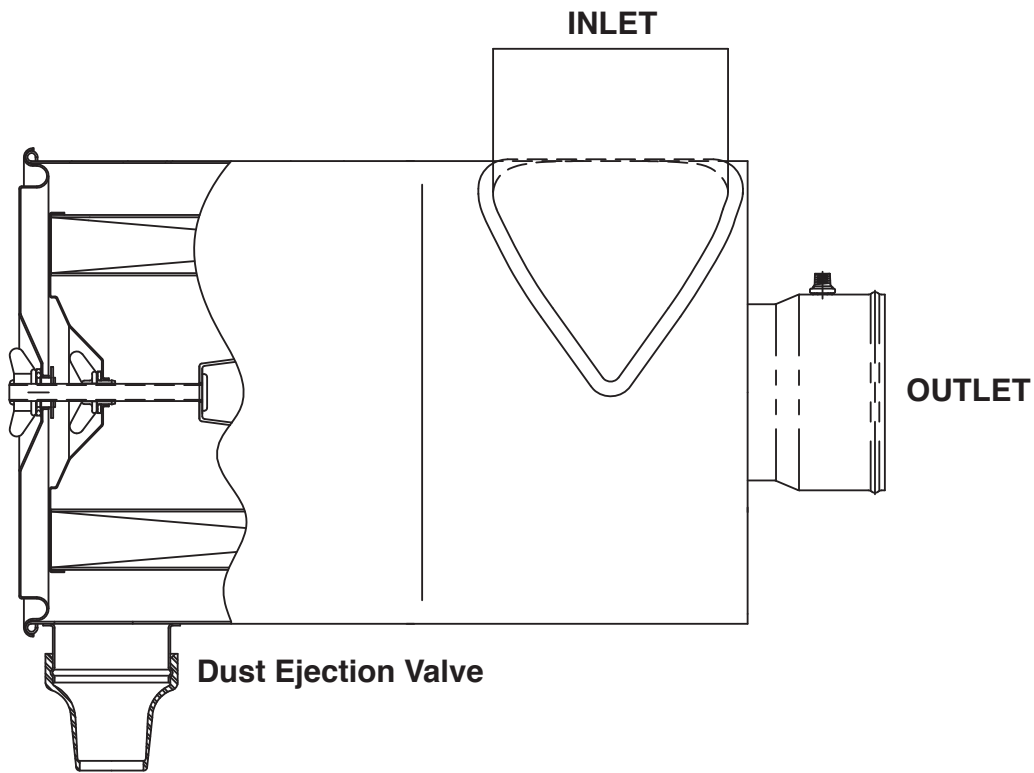
Typical System Capacity vs Flow Rate



Restriction		Flow Rate () = with Secondary		Typical Capacity () = with Secondary
in H ₂ O	kPa	CFM	m ³ /min	grams
6	1.5	439 (310)	12.43 (8.78)	6187 (8161)
8	2.0	511 (361)	14.47 (10.22)	4580 (7101)
10	2.5	574 (406)	16.26 (11.50)	2984 (5743)
12	3.0	631 (447)	17.87 (12.66)	1397 (4171)

ISO Coarse Dust
2.0 g/m³ Feed Rate
6.25 kPa (25" H₂O) Terminal Restriction





Specifications

Specification	AH19271	AH19272
Length Overall	21.9" (556.3 mm)	21.9" (556.3 mm)
Body OD, Max.	11.0" (279.7 mm)	11.0" (279.7 mm)
Flow, Min. (2" Restriction)	400 CFM (11.3 m ³ /min)	270 CFM (7.7 m ³ /min)
Flow, Max. (12" Restriction)	767 CFM (21.7 m ³ /min)	686 CFM (19.4 m ³ /min)
Secondary Element	No	Yes
Housing Material	Metal	Metal
Pre-cleaner Integral	Yes	Yes
Filter Efficiency	≥ 99.90% per ISO 5011	≥ 99.90% per ISO 5011

Dust Holding Capacity per Cummins® Specification

Specification	AH19271	AH19272
Allowable Flow for 10 g/CFM	< 674 CFM (19.1 m ³ /min)	< 653 CFM (18.5 m ³ /min)
Allowable Flow for 25 g/CFM	< 445 CFM (12.6 m ³ /min)	< 401 CFM (11.4 m ³ /min)

Specifications subject to change without notice.

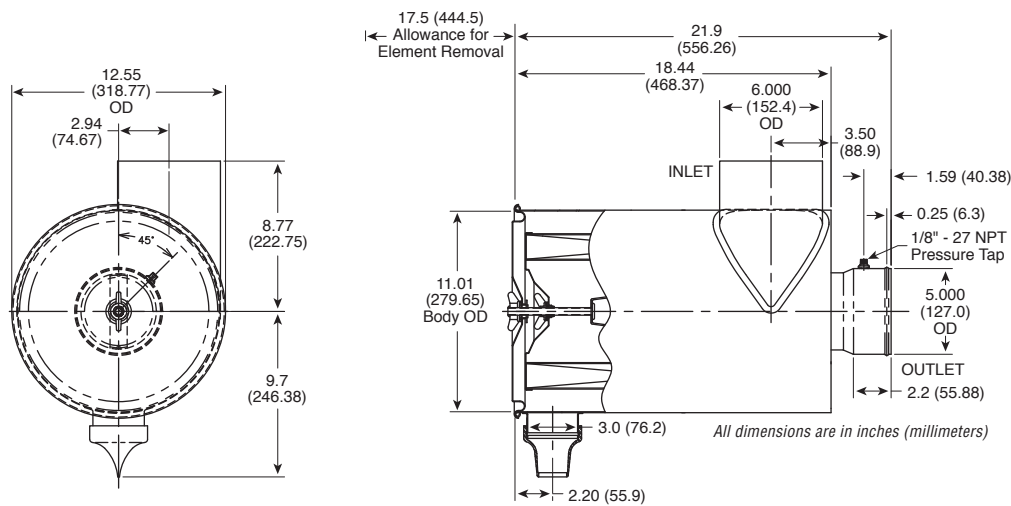
Ordering Information

Air Cleaners	
Part Number	Description
AH19271	Metal Air Cleaner – without Secondary Element
AH19272	Metal Air Cleaner – with Secondary Element

Accessories	
Part Number	Description
3918230S	Mounting Bracket
2	No. of Brackets Required
3316660S	Outlet Band Clamps
3918206S	Weather Hood
3316610S	Hump-Hose
3316570S	90° Elbow
N/A	90° Reducing Elbow
3946326S	Restriction Indicator

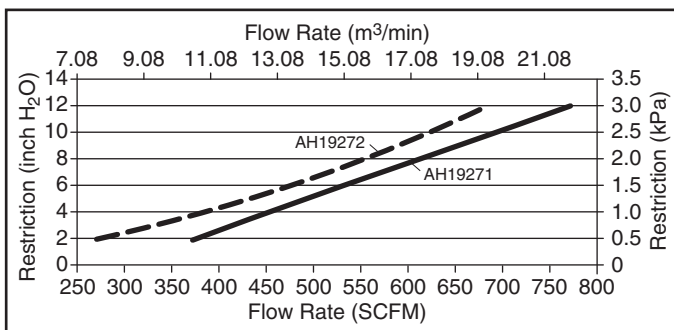
Service Parts	
Part Number	Description
AF4754	Primary Element
N/A	Magnum Primary Element
AF4755	Secondary Element
Q06316	Dust Ejection Valve
3955487S 3955482S	Wing Nut/Clips
3955462S	Cover Assembly

Dimensions

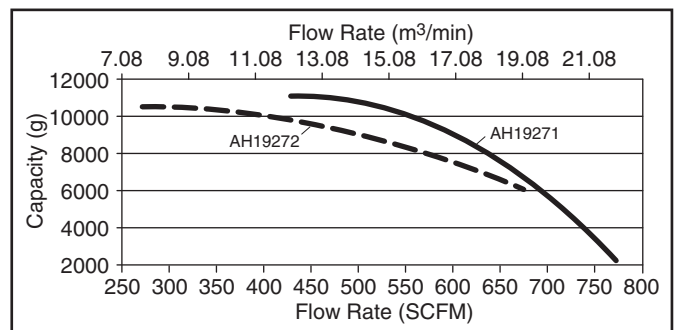


Performance

System Restriction vs Flow Rate

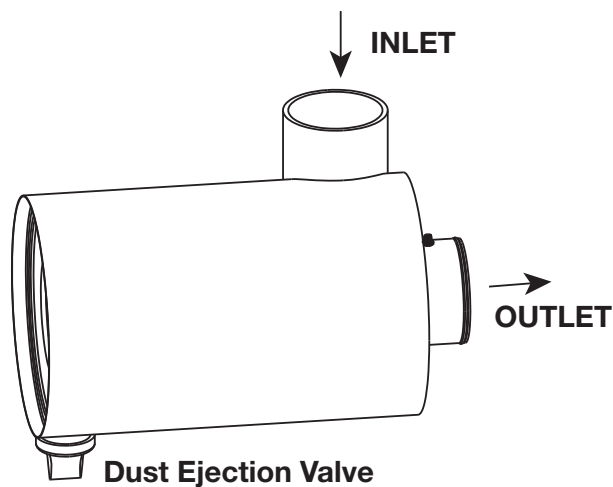


Typical System Capacity vs Flow Rate



Restriction		Flow Rate () = with Secondary		Typical Capacity () = with Secondary
in H ₂ O	kPa	CFM	m ³ /min	grams
6	1.5	532 (480)	15.07 (13.59)	10442 (9294)
8	2.0	612 (557)	17.33 (15.77)	8749 (8263)
10	2.5	692 (625)	19.60 (17.70)	6036 (7100)
12	3.0	772 (686)	21.86 (19.43)	2303 (5844)

ISO Coarse Dust
2.0 g/m³ Feed Rate
6.25 kPa (25" H₂O) Terminal Restriction



Specifications

Specification	AH19259
Length Overall	25.1" (636.3 mm)
Body OD	14.1" (358.1 mm)
Flow, Min. (2" Restriction)	355 CFM (10.1 m ³ /min)
Flow, Max. (12" Restriction)	897 CFM (25.4 m ³ /min)
Secondary Element	Yes
Housing Material	Metal
Pre-cleaner Integral	Yes
Filter Efficiency	≥ 99.90% per ISO 5011

Dust Holding Capacity per Cummins® Specification

Specification	AH19259
Allowable Flow for 10 g/CFM	< 897 CFM (25.4 m ³ /min)*
Allowable Flow for 25 g/CFM	< 841 CFM (23.8 m ³ /min)

* Flow rate limited by restriction.

Specifications subject to change without notice.

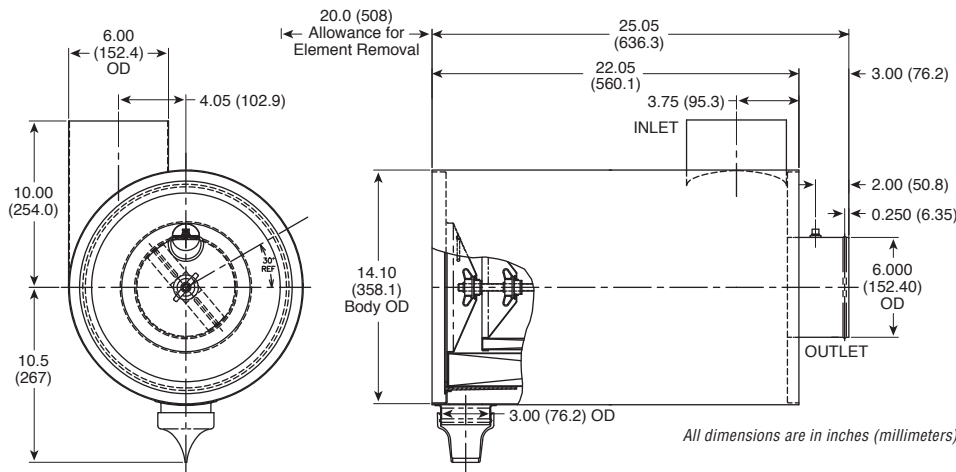
Ordering Information

Air Cleaner	
Part Number	Description
AH19259	Metal Air Cleaner

Accessories	
Part Number	Description
3918234S	Mounting Bracket
2	No. of Brackets Required
3316662S	Outlet Band Clamps
3918206S 3918207S	Weather Hood
3316612S	Hump-Hose
3316573S	90° Elbow
3316589S 3316590S	90° Reducing Elbow
3946326 S	Restriction Indicator

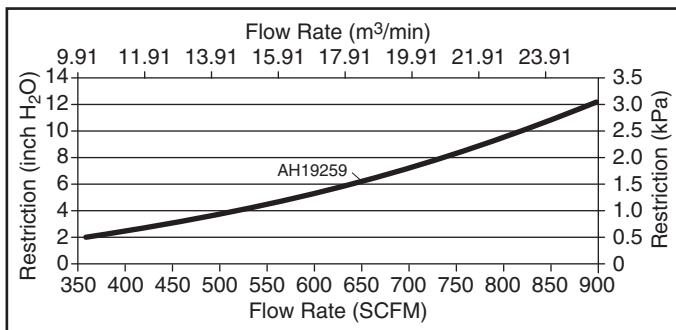
Service Parts	
Part Number	Description
AF1828	Primary Element
N/A	Magnum Primary Element
AF1894M	Secondary Element
Q06316	Dust Ejection Valve
3955490S	Wing Nut/Clips
N/A	Cover Assembly

Dimensions

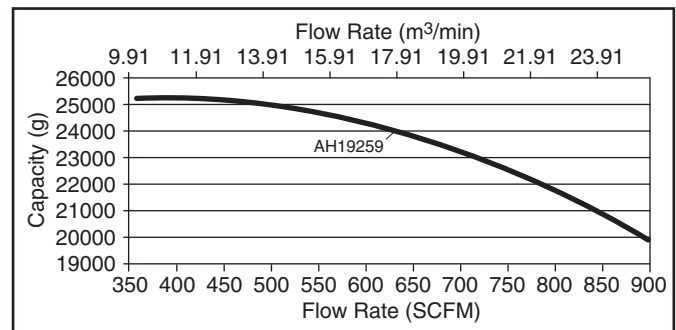


Performance

System Restriction vs Flow Rate



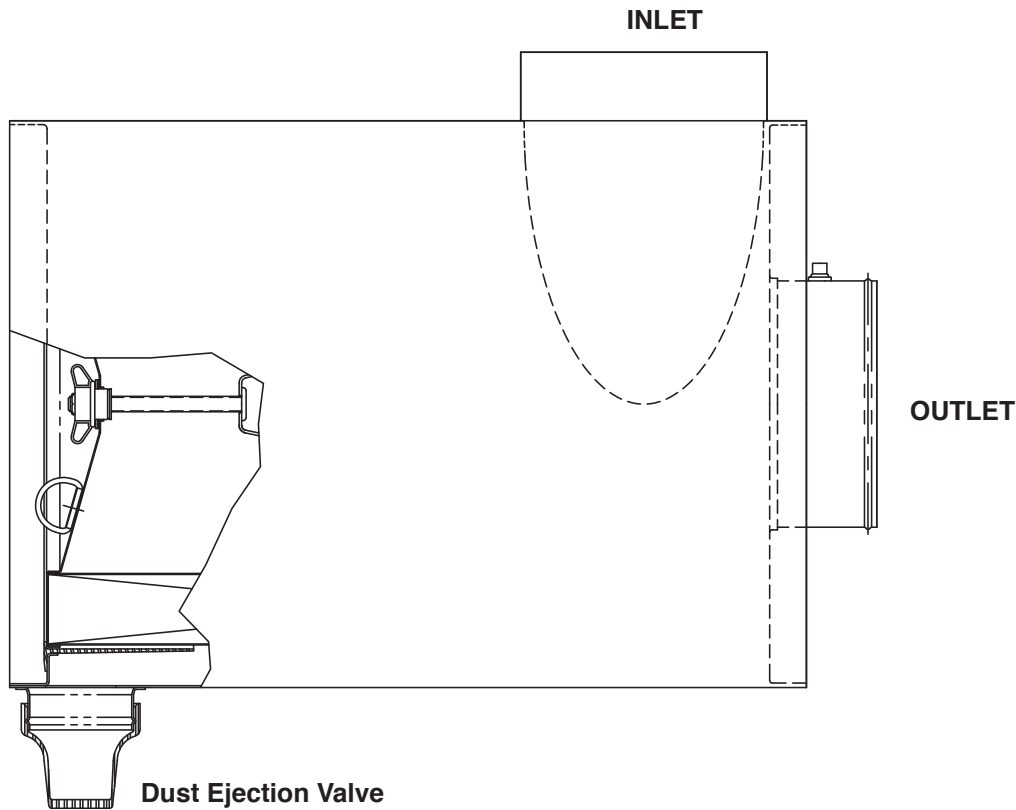
Typical System Capacity vs Flow Rate



Restriction		Flow Rate		Typical Capacity
in H ₂ O	kPa	CFM	m³/min	grams
6	1.5	640	18.12	23918
8	2.0	737	20.87	22728
10	2.5	821	23.25	21390
12	3.0	897	25.40	19950

ISO Coarse Dust
2.0 g/m³ Feed Rate
6.25 kPa (25" H₂O) Terminal Restriction





Specifications

Specification	AH19073	AH19074
Length Overall	24.6" (625.9 mm)	24.6" (625.9 mm)
Body OD, Max.	16.1" (408.9 mm)	16.1" (408.9 mm)
Flow, Min. (2" Restriction)	570 CFM (16.4 m ³ /min)	555 CFM (15.7 m ³ /min)
Flow, Max. (12" Restriction)	1275 CFM (36.1 m ³ /min)	1224 CFM (34.7 m ³ /min)
Secondary Element	No	Yes
Housing Material	Metal	Metal
Pre-cleaner Integral	Yes	Yes
Filter Efficiency	≥ 99.90% per ISO 5011	≥ 99.90% per ISO 5011

Dust Holding Capacity per Cummins® Specification

Specification	AH19073	AH19074
Allowable Flow for 10 g/CFM	< 1275 CFM (36.1 m ³ /min)*	1224 CFM (34.7 m ³ /min)*
Allowable Flow for 25 g/CFM	< 938 CFM (26.6 m ³ /min)	917 CFM (26.0 m ³ /min)

* Flow rate limited by restriction.

Specifications subject to change without notice.

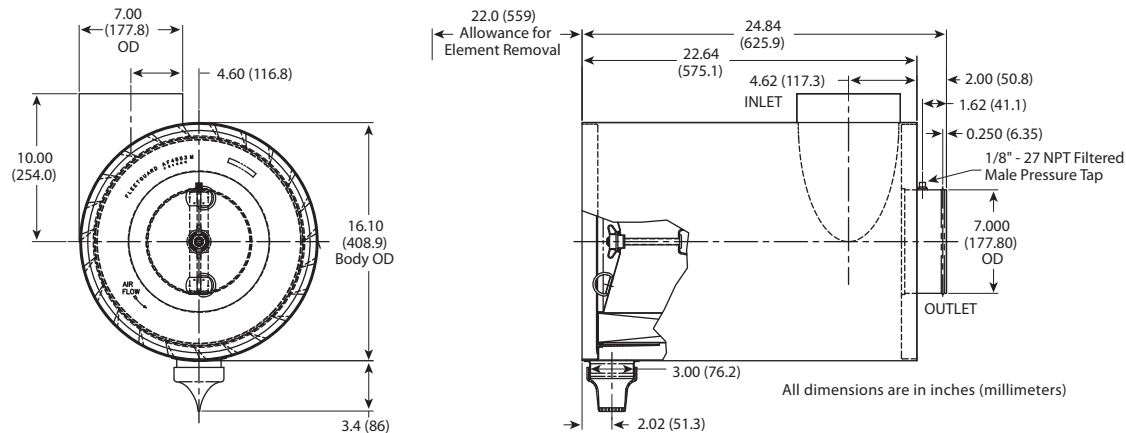
Ordering Information

Air Cleaners	
Part Number	Description
AH19073	Metal Air Cleaner – without Secondary Element
AH19074	Metal Air Cleaner – with Secondary Element

Accessories	
Part Number	Description
3918236S	Mounting Bracket
2	No. of Brackets Required
3316663S	Outlet Band Clamps
3918208S 3918209S	Weather Hood
3316613S	Hump-Hose
3316576S	90° Elbow
3316591S 3316592S 3316593S	90° Reducing Elbow
3946326S	Restriction Indicator

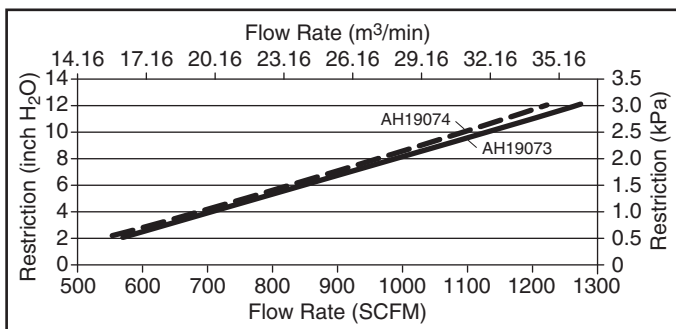
Service Parts	
Part Number	Description
AF4553M	Primary Element
AF4553M	Magnum Primary Element
AF4554M	Secondary Element
Q06316	Dust Ejection Valve
3955490S	Wing Nut/Clips
N/A	Cover Assembly

Dimensions

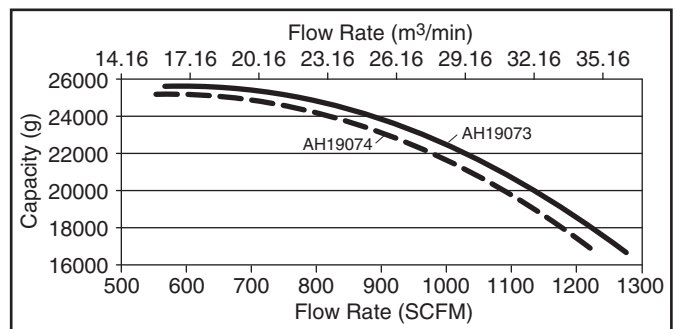


Performance

System Restriction vs Flow Rate

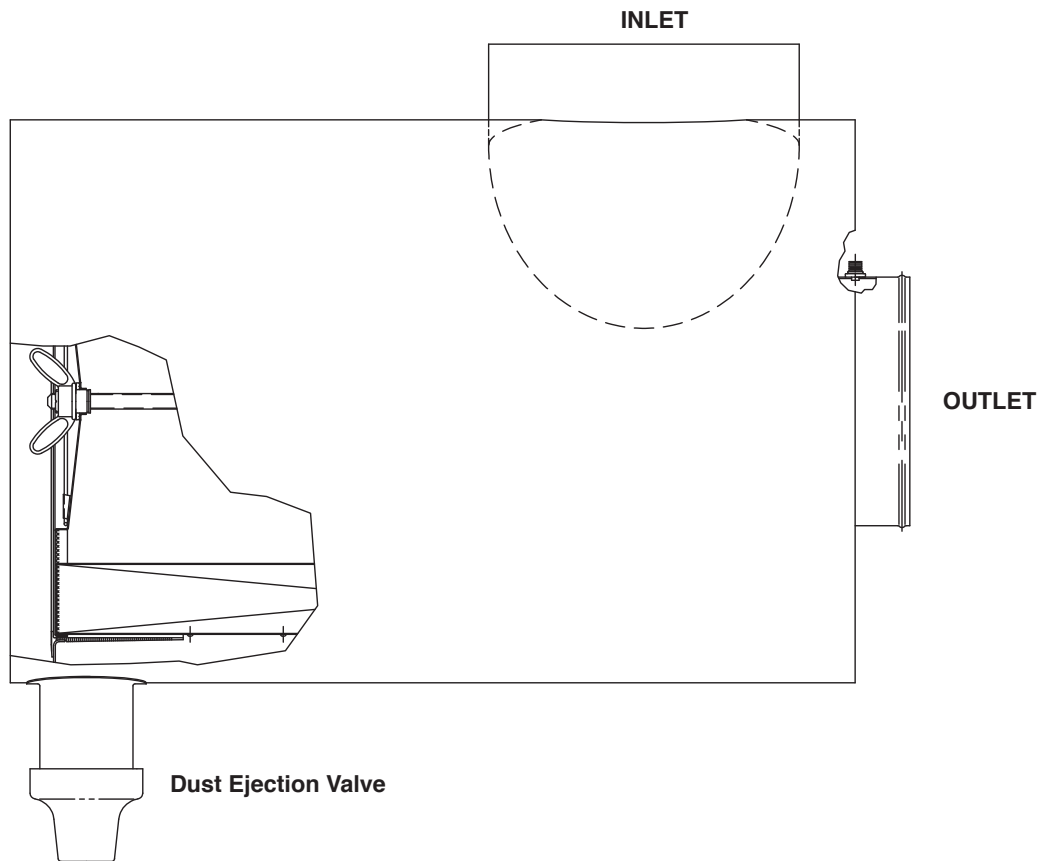


Typical System Capacity vs Flow Rate



Restriction		Flow Rate () = with Secondary		Typical Capacity () = with Secondary
in H ₂ O	kPa	CFM	m ³ /min	grams
6	1.5	844 (832)	23.90 (23.56)	24507 (23938)
8	2.0	987 (967)	27.95 (27.39)	22726 (22166)
10	2.5	1131 (1098)	32.03 (31.10)	20130 (19751)
12	3.0	1275 (1224)	36.11 (34.66)	16719 (16757)

ISO Coarse Dust
2.0 g/m³ Feed Rate
6.25 kPa (25" H₂O) Terminal Restriction



Specifications

Specification	AH19075	AH19076
Length Overall	27.3" (693.0 mm)	27.3" (693.0 mm)
Body OD, Max.	18.1" (460.2 mm)	18.1" (460.2 mm)
Flow, Min. (2" Restriction)	700 CFM (19.8 m ³ /min)	650 CFM (18.4 m ³ /min)
Flow, Max. (12" Restriction)	1815 CFM (51.4 m ³ /min)	1765 CFM (50.0 m ³ /min)
Secondary Element	No	Yes
Housing Material	Metal	Metal
Pre-cleaner Integral	Yes	Yes
Filter Efficiency	≥ 99.90% per ISO 5011	≥ 99.90% per ISO 5011

Dust Holding Capacity per Cummins® Specification

Specification	AH19075	AH19076
Allowable Flow for 10 g/CFM	< 1815 CFM (51.4 m ³ /min)*	1765 CFM (50.0 m ³ /min)*
Allowable Flow for 25 g/CFM	< 1320 CFM (37.4 m ³ /min)	1260 CFM (35.9 m ³ /min)

* Flow rate limited by restriction.

Specifications subject to change without notice.

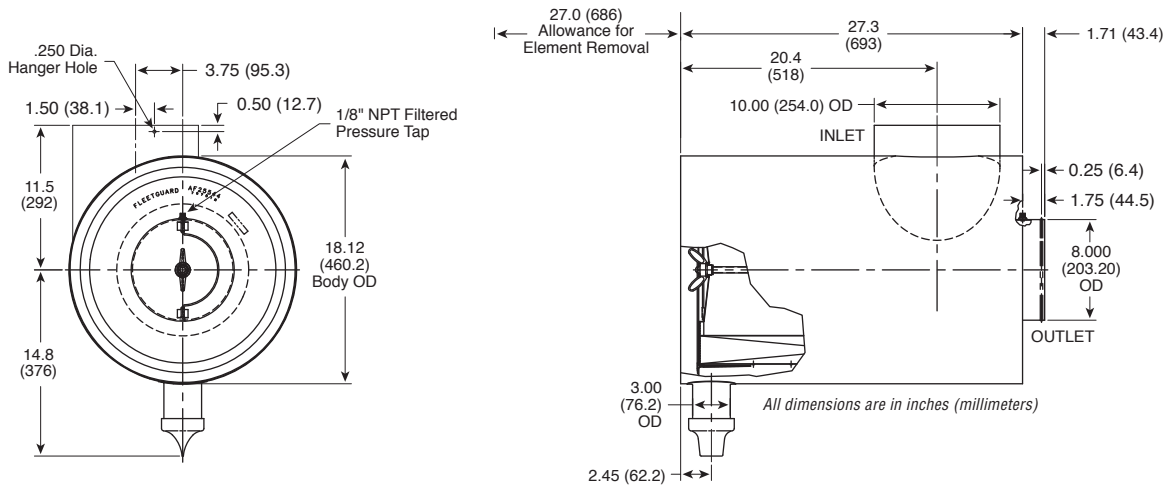
Ordering Information

Air Cleaners	
Part Number	Description
AH19075	Metal Air Cleaner – without Secondary Element
AH19076	Metal Air Cleaner – with Secondary Element

Accessories	
Part Number	Description
3918237S	Mounting Bracket
2	No. of Brackets Required
3316664S	Outlet Band Clamps
3940356S	Weather Hood
3316614S	Hump-Hose
3316577S	90° Elbow
N/A	90° Reducing Elbow
3946326S	Restriction Indicator

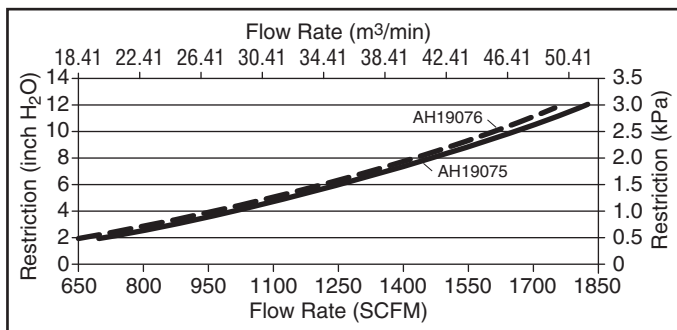
Service Parts	
Part Number	Description
AF25544	Primary Element
N/A	Magnum Primary Element
AF25545	Secondary Element
Q06316	Dust Ejection Valve
3955479S	Wing Nut/Clips
N/A	Cover Assembly

Dimensions

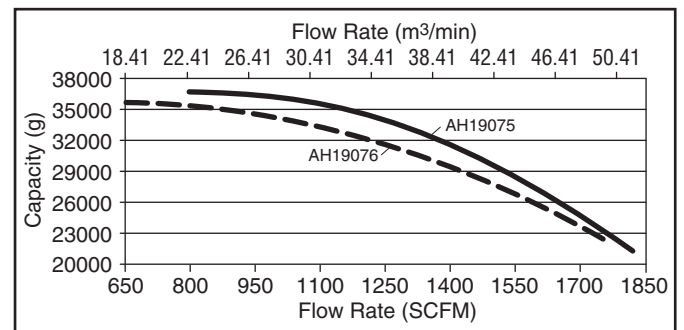


Performance

System Restriction vs Flow Rate



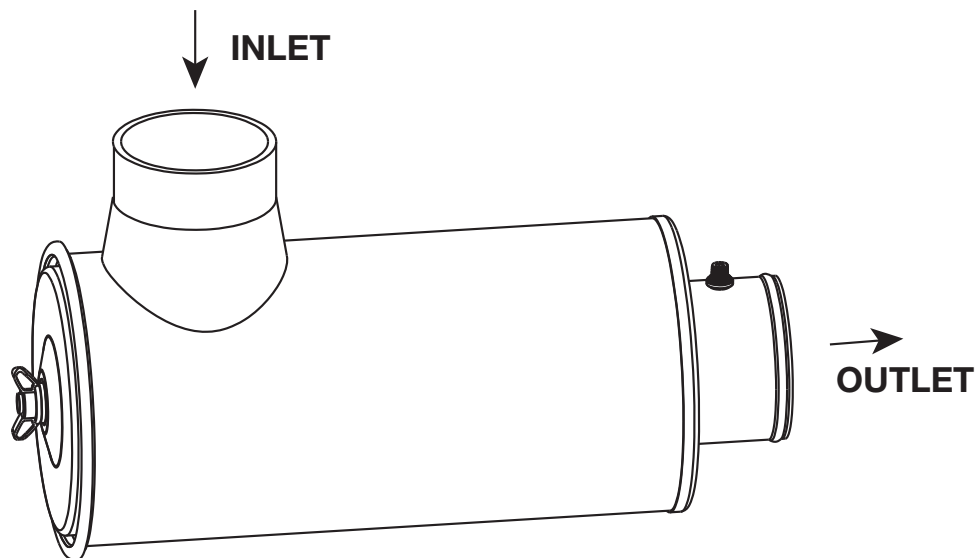
Typical System Capacity vs Flow Rate



Restriction		Flow Rate () = with Secondary		Typical Capacity () = with Secondary
in H ₂ O	kPa	CFM	m³/min	grams
6	1.5	1250 (1211)	35.40 (34.30)	33992 (32113)
8	2.0	1461 (1418)	41.38 (40.16)	30490 (29169)
10	2.5	1650 (1600)	46.73 (45.31)	26181 (25850)
12	3.0	1821 (1765)	51.57 (49.98)	21281 (22266)

ISO Coarse Dust
2.0 g/m³ Feed Rate
6.25 kPa (25" H₂O) Terminal Restriction





Specifications

Specification	AH19077
Length Overall	17.9" (454.9 mm)
Body OD	7.2" (182.4 mm)
Flow, Min. (2" Restriction)	188 CFM (5.3 m ³ /min)
Flow, Max. (12" restriction)	468 CFM (13.3 m ³ /min)
Secondary Element	No
Housing Material	Metal
Pre-cleaner Integral	No
Filter Efficiency	≥ 99.90% per ISO 5011

Dust Holding Capacity per Cummins® Specification

Specification	AH19077
Allowable Flow for 3 g/CFM	< 329 CFM (9.3 m ³ /min)
Allowable Flow for 10 g/CFM	< 181 CFM (5.1 m ³ /min)

Specifications subject to change without notice.

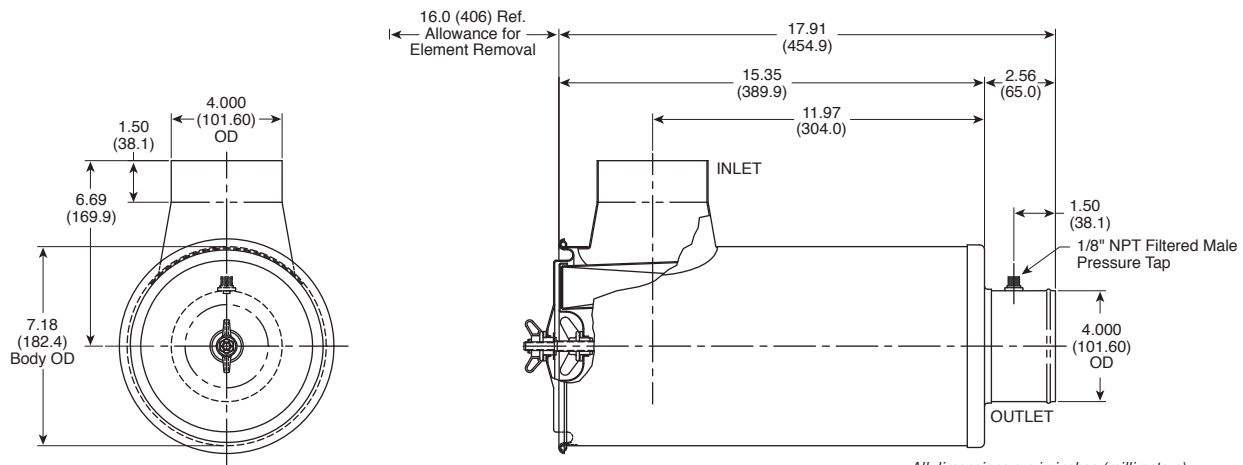
Ordering Information

Air Cleaner	
Part Number	Description
AH19077	Metal Air Cleaner

Accessories	
Part Number	Description
3918221S	Mounting Bracket
2	No. of Brackets Required
3316658S	Outlet Band Clamps
3918204S	Weather Hood
3316608S	Hump-Hose
3316568S	90° Elbow
N/A	90° Reducing Elbow
3946326S	Restriction Indicator

Service Parts	
Part Number	Description
AF25546	Primary Element
N/A	Magnum Primary Element
N/A	Secondary Element
Q06316	Dust Ejection Valve
3955488S	Wing Nut/Clips
3955489S	
3955471S	Cover Assembly

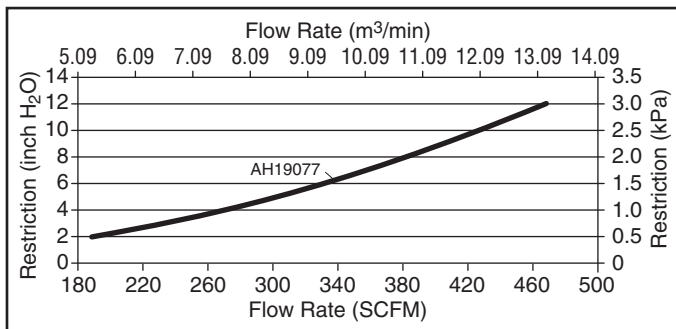
Dimensions



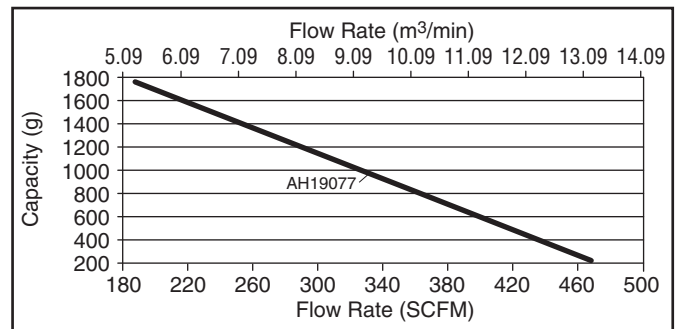
All dimensions are in inches (millimeters)

Performance

System Restriction vs Flow Rate



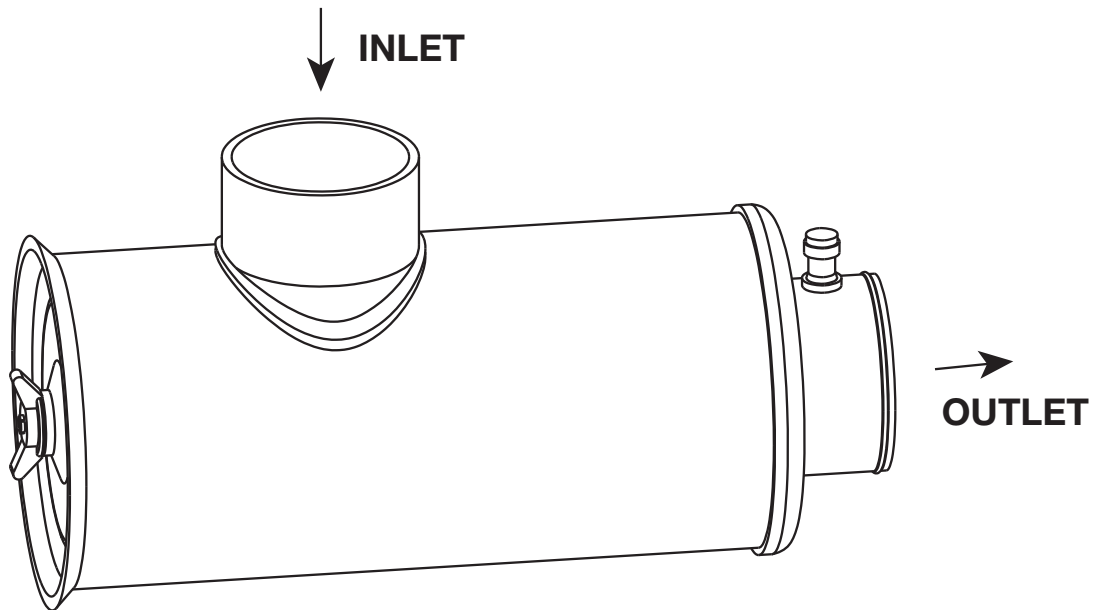
Typical System Capacity vs Flow Rate



Restriction		Flow Rate		Typical Capacity
in H ₂ O	kPa	CFM	m³/min	grams
6	1.5	331	9.37	980
8	2.0	382	10.82	696
10	2.5	428	12.12	447
12	3.0	468	13.25	223

ISO Fine Dust
 1.0 g/m³ Feed Rate
 6.25 kPa (25" H₂O) Terminal Restriction





Specifications

Specification	AH19078
Length Overall	21.5" (547.1 mm)
Body OD	8.5" (216.4 mm)
Flow, Min. (2" Restriction)	310 CFM (8.8 m ³ /min)
Flow, Max. (12" Restriction)	791 CFM (22.4 m ³ /min)
Secondary Element	No
Housing Material	Metal
Pre-cleaner Integral	No
Filter Efficiency	≥ 99.90% per ISO 5011

Dust Holding Capacity per Cummins® Specification

Specification	AH19078
Allowable Flow for 3 g/CFM	< 520 CFM (14.7 m ³ /min)
Allowable Flow for 10 g/CFM	< 250 CFM (7.1 m ³ /min)

Specifications subject to change without notice.

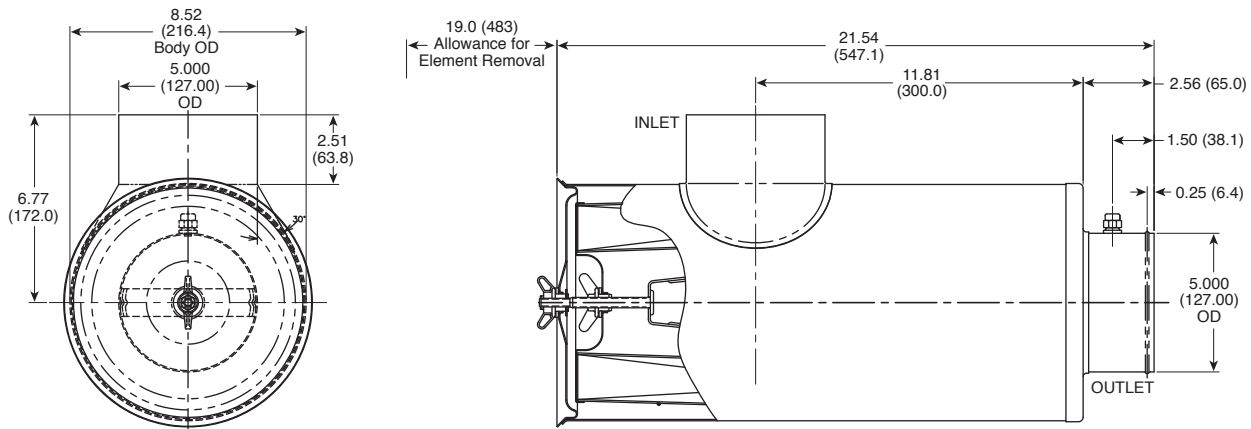
Ordering Information

Air Cleaner	
Part Number	Description
AH19078	Metal Air Cleaner

Accessories	
Part Number	Description
3918224S	Mounting Bracket
2	No. of Brackets Required
3316660S	Outlet Band Clamps
3918205S	Weather Hood
3316610S	Hump-Hose
3316570S	90° Elbow
N/A	90° Reducing Elbow
3946326S	Restriction Indicator

Service Parts	
Part Number	Description
AF25547	Primary Element
N/A	Magnum Primary Element
N/A	Secondary Element
Q06316	Dust Ejection Valve
3955488S	Wing Nut/Clips
3955489S	
3955473S	Cover Assembly

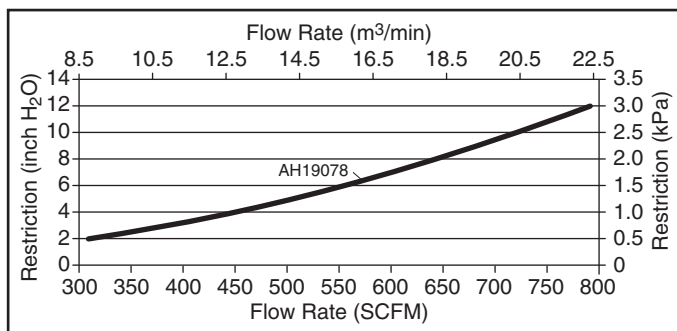
Dimensions



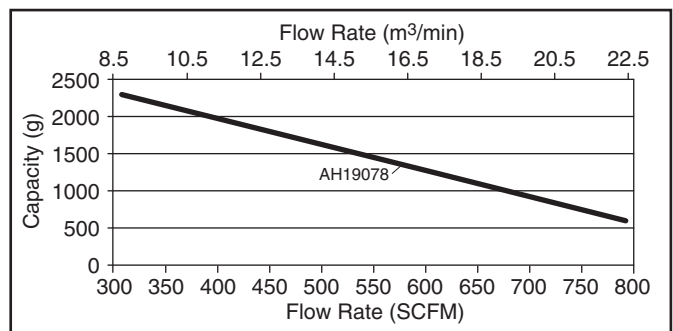
All dimensions are in inches (millimeters)

Performance

System Restriction vs Flow Rate



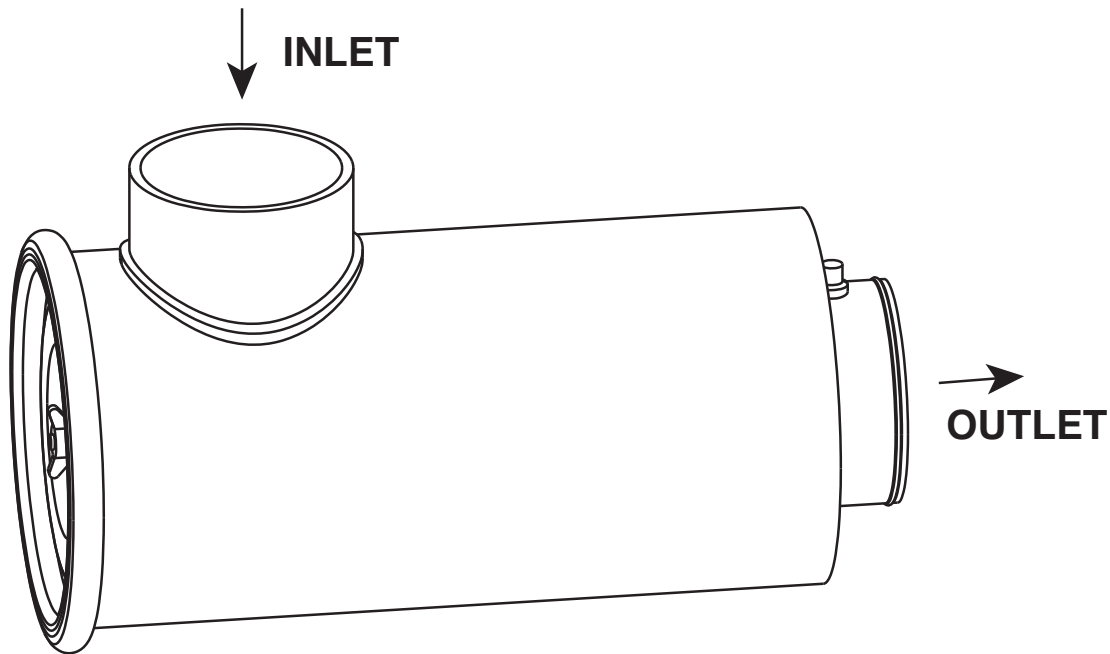
Typical System Capacity vs Flow Rate



Restriction		Flow Rate		Typical Capacity
in H ₂ O	kPa	CFM	m³/min	grams
6	1.5	555	15.72	1434
8	2.0	643	18.21	1125
10	2.5	721	20.42	853
12	3.0	791	22.40	608

ISO Fine Dust
 1.0 g/m³ Feed Rate
 6.25 kPa (25" H₂O) Terminal Restriction





Specifications

Specification	AH19079
Length Overall	23.16" (585.7 mm)
Body OD	10.1" (256.5 mm)
Flow, Min. (2" Restriction)	465 CFM (13.2 m ³ /min)
Flow, Max. (12" Restriction)	1156 CFM (32.7 m ³ /min)
Secondary Element	No
Housing Material	Metal
Pre-cleaner Integral	No
Filter Efficiency	≥ 99.90% per ISO 5011

Dust Holding Capacity per Cummins® Specification

Specification	AH19079
Allowable Flow for 3 g/CFM	< 692 CFM (19.6 m ³ /min)
Allowable Flow for 10 g/CFM	< 329 CFM (9.3 m ³ /min)

Specifications subject to change without notice.

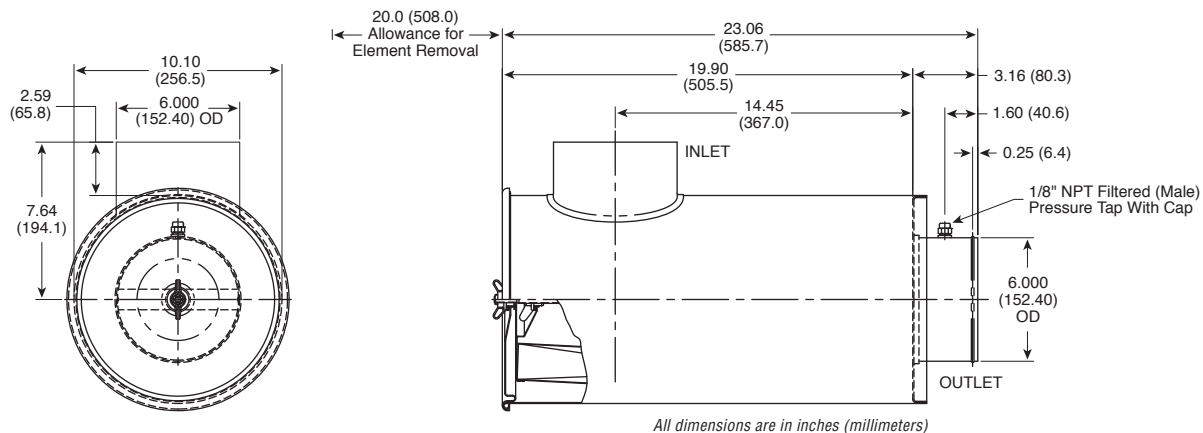
Ordering Information

Air Cleaner	
Part Number	Description
AH19079	Metal Air Cleaner

Accessories	
Part Number	Description
3918226S	Mounting Bracket
2	No. of Brackets Required
3316662S	Outlet Band Clamps
3918206S 3918207S	Weather Hood
3316612S	Hump-Hose
3316573S	90° Elbow
3316589S 3316590S	90° Reducing Elbow
3946326S	Restriction Indicator

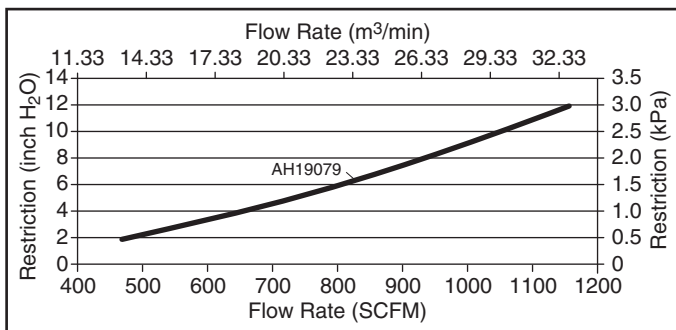
Service Parts	
Part Number	Description
AF25548	Primary Element
N/A	Magnum Primary Element
N/A	Secondary Element
N/A	Dust Ejection Valve
3955488S 3955489S	Wing Nut/Clips
3955474S	Cover Assembly

Dimensions

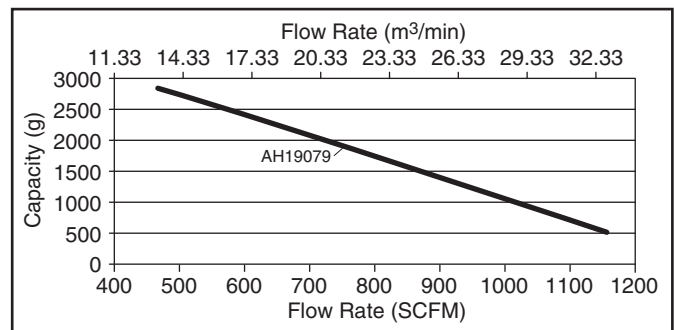


Performance

System Restriction vs Flow Rate

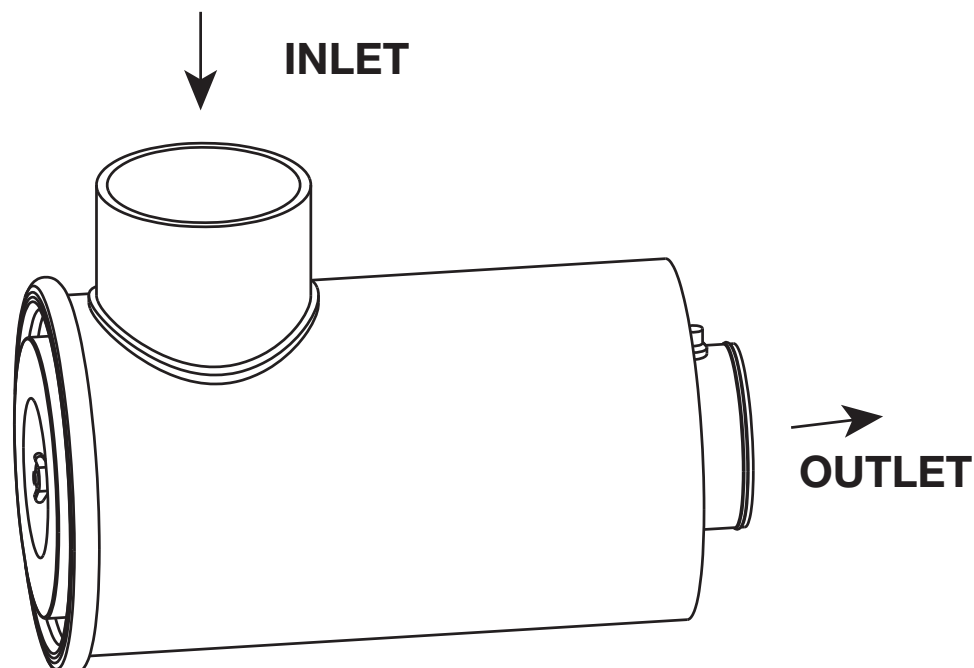


Typical System Capacity vs Flow Rate



Restriction		Flow Rate		Typical Capacity
in H ₂ O	kPa	CFM	m³/min	grams
6	1.5	805	22.80	1697
8	2.0	935	26.48	1262
10	2.5	1051	29.76	874
12	3.0	1156	32.74	521

ISO Fine Dust
1.0 g/m³ Feed Rate
6.25 kPa (25" H₂O) Terminal Restriction



Specifications

Specification	AH19080
Length Overall	23.0" (583.2 mm)
Body OD	10.0" (255.0 mm)
Flow, Min. (2" Restriction)	470 CFM (13.3 m ³ /min)
Flow, Max. (12" Restriction)	1217 CFM (34.5 m ³ /min)
Secondary Element	No
Housing Material	Metal
Pre-cleaner Integral	No
Filter Efficiency	≥ 99.90% per ISO 5011

Dust Holding Capacity per Cummins® Specification

Specification	AH19080
Allowable Flow for 3 g/CFM	< 956 CFM (27.1 m ³ /min)
Allowable Flow for 10 g/CFM	< 473 CFM (13.4 m ³ /min)

Specifications subject to change without notice.

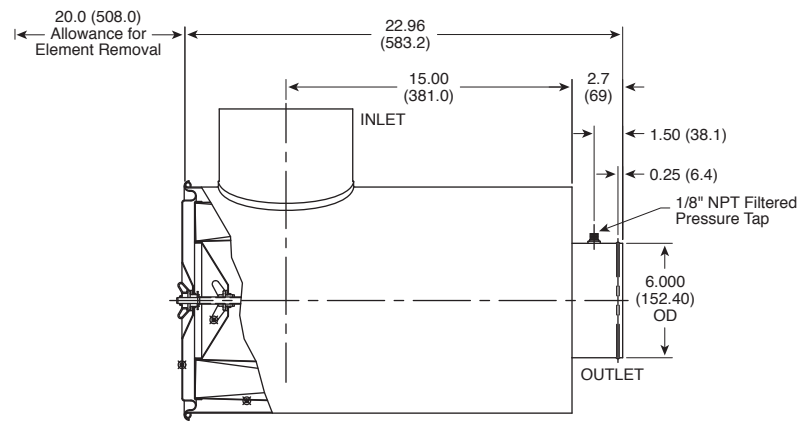
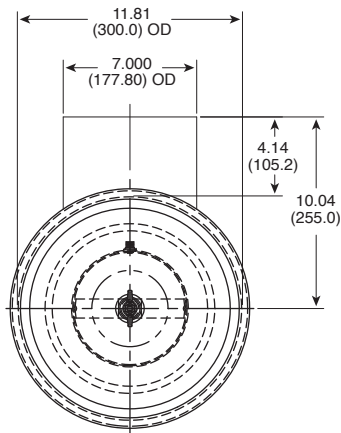
Ordering Information

Air Cleaner	
Part Number	Description
AH19080	Metal Air Cleaner

Accessories	
Part Number	Description
3918230S	Mounting Bracket
2	No. of Brackets Required
3316662S	Outlet Band Clamps
3918208S 3918209S	Weather Hood
3316612S	Hump-Hose
3316573S	90° Elbow
3316589S 3316590S	90° Reducing Elbow
3946326S	Restriction Indicator

Service Parts	
Part Number	Description
AF25549	Primary Element
N/A	Magnum Primary Element
N/A	Secondary Element
Q06316	Dust Ejection Valve
3955488 S 3955489 S	Wing Nut/Clips
3955475 S	Cover Assembly

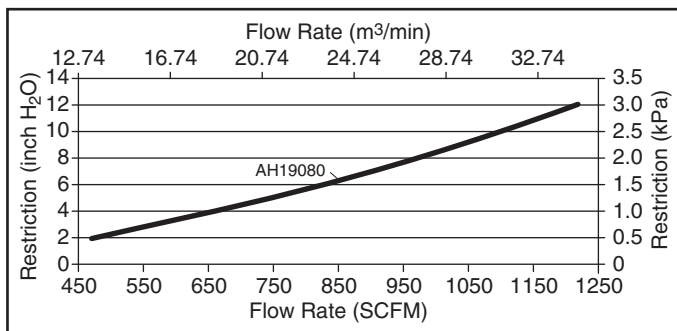
Dimensions



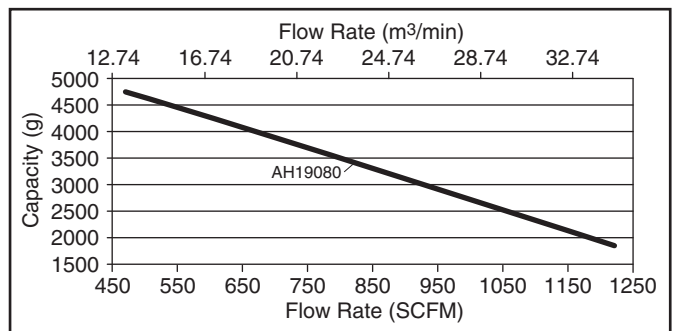
All dimensions are in inches (millimeters)

Performance

System Restriction vs Flow Rate



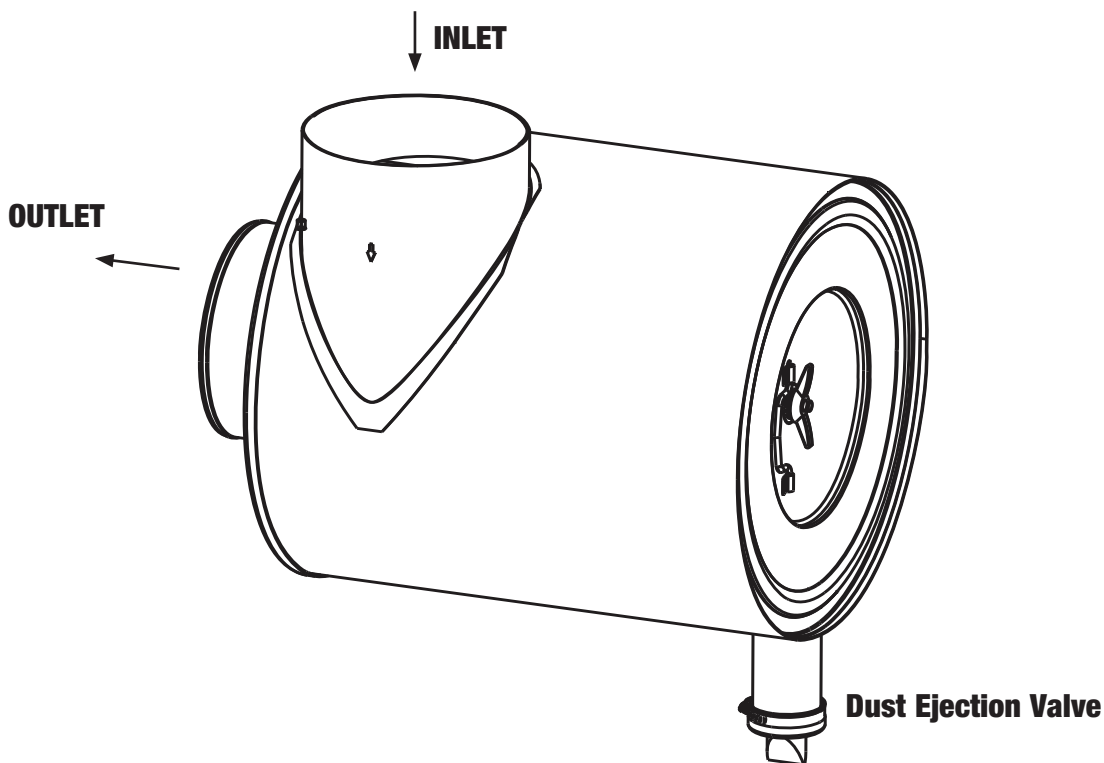
Typical System Capacity vs Flow Rate



Restriction		Flow Rate		Typical Capacity
in H ₂ O	kPa	CFM	m³/min	grams
6	1.5	825	23.36	3374
8	2.0	968	27.41	2822
10	2.5	1098	31.10	2323
12	3.0	1217	34.47	1864

ISO Fine Dust
1.0 g/m³ Feed Rate
6.25 kPa (25" H₂O) Terminal Restriction





Specifications

Specification	AH19473
Length, Overall	28.4" (712.7 mm)
Width, Overall	21.4" (545.7 mm)
Height, Overall	30.5" (774.3 mm)
Flow, Min. (2" Restriction)	900 CFM (25.5 m ³ /min)
Flow, Max. (12" Restriction)	2330 CFM (66.0 m ³ /min)
Secondary Element	Yes
Housing Material	Metal
Pre-cleaner	Integral
Inlet	90° to Outlet, 10" (254.0 mm)
Filter Efficiency	≥ 99.90% per ISO 5011

Specifications subject to change without notice.

Dust Holding Capacity per Cummins® Specification

Specification	AH19473	
	CFM	m ³ /min
Allowable Flow for 10 g/CFM (357.1 g/m ³ /min)	2150	60.9
Allowable Flow for 25 g/CFM (892.9 g/m ³ /min)	1220	34.5

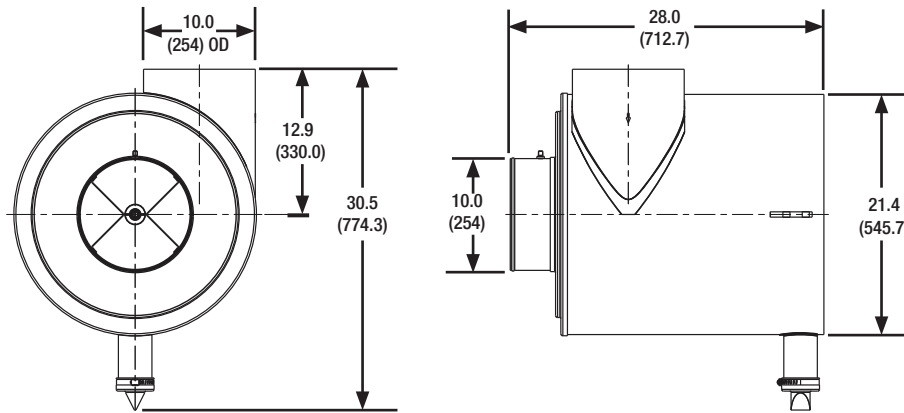
Ordering Information

Air Cleaner	
Part Number	Description
AH19473	Metal Air Cleaner - with Secondary Element

Accessories	
Part Number	Description
3940926S	Mounting Bracket
2	No. of Brackets Required
3316665S	Outlet Band Clamps
3940356S	Weather Hood
3316615S	Hump-Hose
3316578S	90° Elbow
3946326S	Restriction Indicator

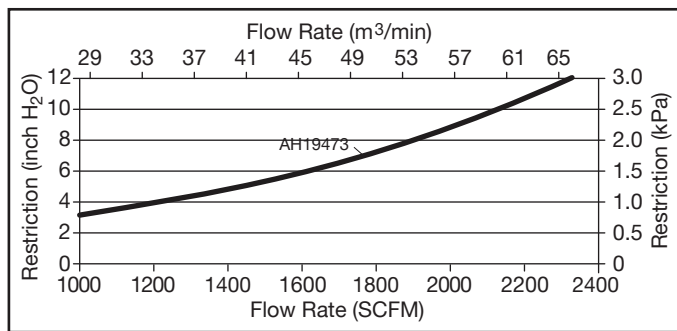
Service Parts	
Part Number	Description
AF899	Primary Element
AF880	Secondary Element
Q06316	Dust Ejection Valve
AF899M	Magnum Primary Element
AF899NF	NanoFiber Primary Element

Dimensions

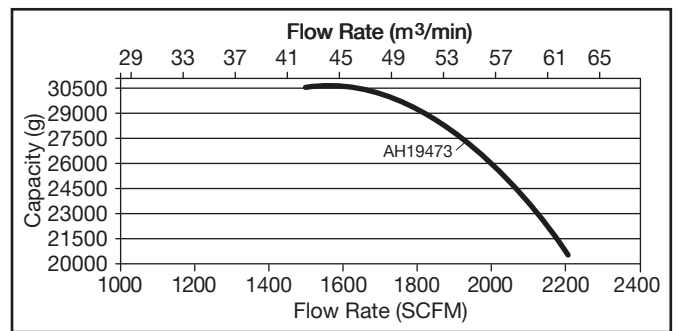


Performance

System Restriction vs Flow Rate



Typical System Capacity vs Flow Rate



Restriction		Flow Rate		Typical Capacity
in H ₂ O	kPa	CFM	m ³ /min	grams
4	1.0	1256	35.6	30500
6	1.5	1623	46.0	30477
8	2.0	1906	54.0	27584
10	2.5	2144	60.7	22138
12	3.0	2330	66.0	15966

ISO Coarse Dust
2.0 g/m³ Feed Rate
6.25 kPa (25" H₂O) Terminal Restriction
per ISO 5011