

Filter Cartridges for dedusting plants



Ø 145 mm with flange

3 lug flange Ø TK = 180 mm for raw gas side or clean side installation

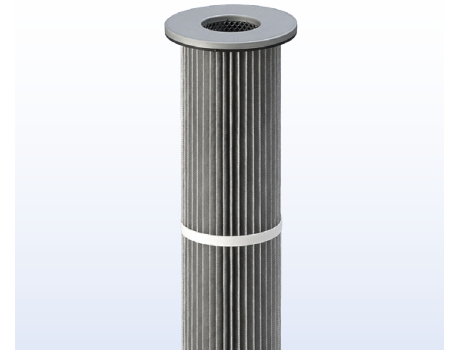
Ø [mm]	Length L [mm]	Filter area [m ²]
145	305	1,0
145	605	1,6
145	605	2,1
145	985	3,6
145	1205	3,2
145	1505	5,4



Ø 157-150 mm Easy Fit

For clean side installation
for hole in mounting plate Ø 159 mm
Accessory: Filter holder 310-001-000031

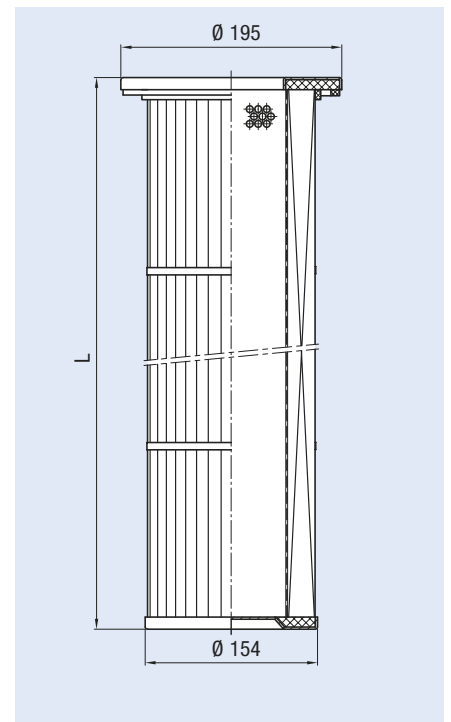
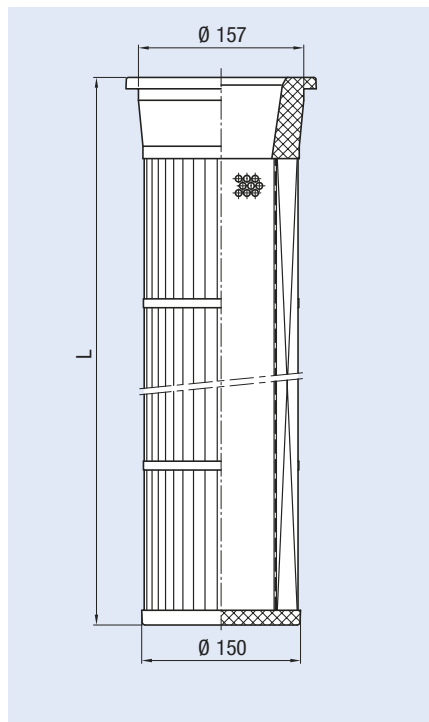
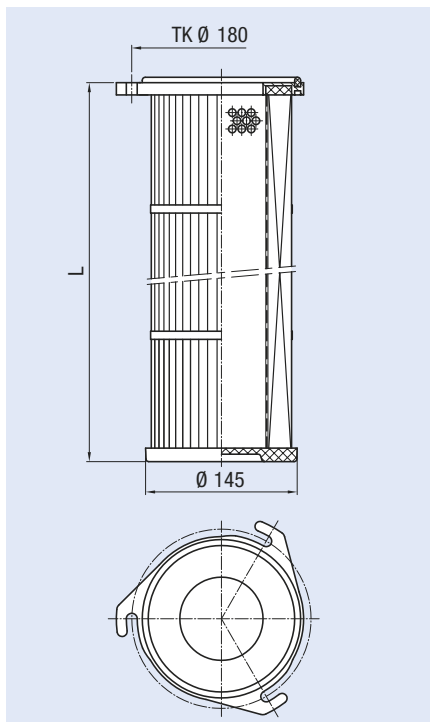
Ø [mm]	Length L [mm]	Filter area [m ²]
150	660	1,1
150	1040	1,9
150	1260	2,3
150	1460	2,7
150	1560	2,9
150	2060	3,9



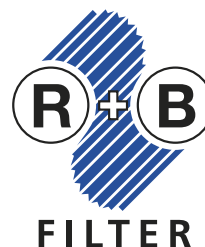
Ø 195-154 mm

For clean side installation

Ø [mm]	Length L [mm]	Filter area [m ²]
154	502	1,1
154	502	1,3
154	602	1,5
154	982	1,3
154	982	2,5
154	982	3,2
154	1402	3,3



Available Through:
BORSERINI SRL
Via N. Sauro, 1
I-23100 Sondrio SO
Italy
Phone: +39 0342 209200
Fax: +39 0342 209499
Email: info@borserini.it
Web: www.borserini.com



R+B Filter GmbH
Boessingerstrasse 34
74243 Langenbrettach-Langenbeutungen
Germany
Phone: +49 (0)79 46 91 27-0
Fax: +49 (0)79 46 91 27-39
E-Mail: info@rb-filter.com
www.rb-filter.com



Filter Cartridges for dedusting plants



Ø 232-202 mm

For clean side installation

Ø [mm]	Length L [mm]	Filter area [m ²]
202	230	1,7
202	405	3,7
202	570	2,5
202	760	3,3
202	810	3,5



Ø 363-214 mm

Conical for clean side installation

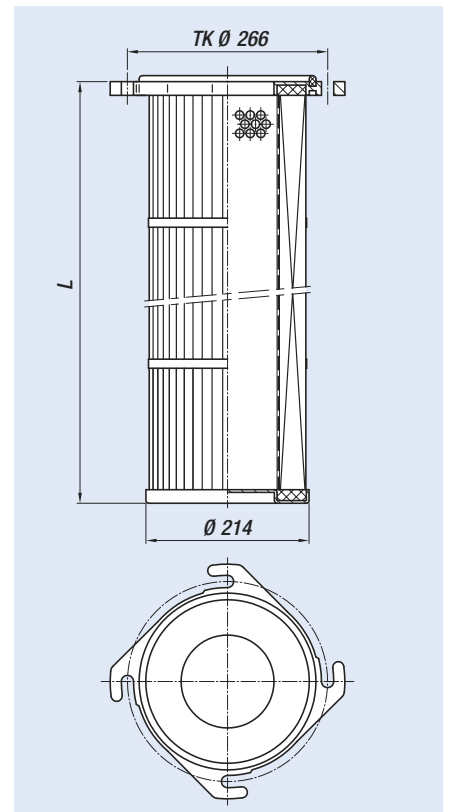
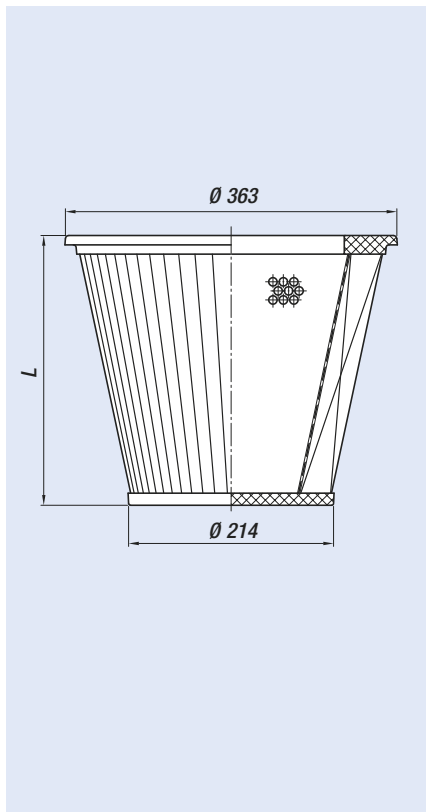
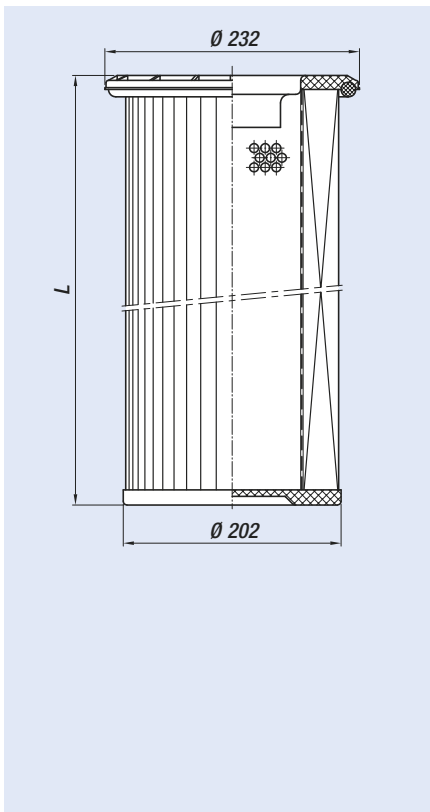
Ø [mm]	Length L [mm]	Filter area [m ²]
214	275	0,8
214	275	1,2
214	275	1,6



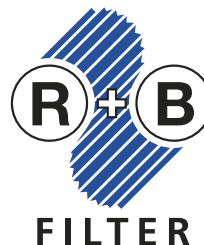
Ø 214 mm

4 lug flange Ø TK = 266 mm for raw gas side or clean side installation

Ø [mm]	Length L [mm]	Filter area [m ²]
214	505	2,5
214	605	3,0
214	750	3,7
214	985	5,0



Available Through:
BORSERINI SRL
 Via N. Sauro, 1
 I-23100 Sondrio SO
 Italy
 Phone: +39 0342 209200
 Fax: +39 0342 209499
 Email: info@borserini.it
 Web: www.borserini.com



R+B Filter GmbH
 Boessingerstrasse 34
 74243 Langenbrettach-Langenbeutingen
 Germany
 Phone: +49 (0)79 46 9127-0
 Fax: +49 (0)79 46 9127-39
 E-Mail: info@rb-filter.com
www.rb-filter.com

