

ASFA "S" Worm-Drive Clip



The ASFA "S" W5 hose clip combines an innovative housing, a sturdy 12mm band and is made entirely of AISI-316 stainless steel.

The cold-formed stamped band thread, smoothed on the underside, combined with beveled band edges protects the hose from any damage.

The ASFA "S" W5 hose clip complies fully with the DIN 3017 norm and also with the RoHs directive EU 20032/95/EC dated 1st July 2006. Crafted entirely from AISI-316 stainless steel, this clip is ideally for use in the marine, petrochemical and foodstuffs sectors, where only the highest quality stainless steel is acceptable due to the extreme application conditions.

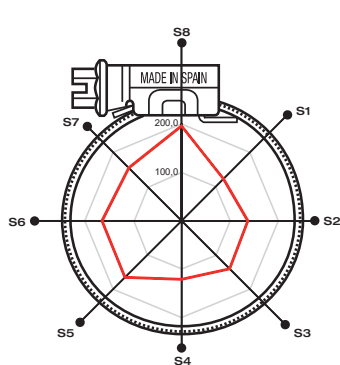
* The maximum application pressure can vary depending on the type of hose used and the geometry of the coupling.
Patented Worldwide.

W5

ASFA "S" W5 Worm-Drive Clip (12mm bandwidth)

Application Ø		Part n° W5	L max.	s + 0,10	h max.	a + 0,3 a - 0,2	b max.	Max. Values* Torque (Nm)	Max. Values* Pressure (Bars)	Box Quantity (MOQ)	Packing
mm	inches										
16-27	5/8-1-1/16	03017720	29,6	0,8	11	12,2	18,8	4,6	45,0	50	400
20-32	25/32-1-1/4	03017500	29,6	0,8	11	12,2	18,8	5,6	45,0	50	400
25-40	1-1-9/16	03017519	29,6	0,8	11	12,2	18,8	5,6	40,0	50	400
30-45	1-3/16-1-3/4	03017738	29,6	0,8	11	12,2	18,8	5,6	35,0	50	400
32-50	1-1/4-1-31/32	03017527	29,6	0,8	11	12,2	18,8	6,5	35,0	50	400
40-60	1-9/16-2-3/8	03017535	29,6	0,8	11	12,2	18,8	6,5	30,0	50	400
50-70	1-31/32-2-3/4	03017543	31,6	0,8	11	12,2	18,8	7,0	25,0	50	400
60-80	2-3/8-3-1/8	03017551	31,6	0,8	11	12,2	18,8	7,0	20,0	50	50
70-90	2-3/4-3-1/2	03017560	31,6	0,8	11	12,2	18,8	7,0	17,0	50	50
80-100	3-1/8-3-15/16	03017578	31,6	0,8	11	12,2	18,8	7,0	14,0	25	200
90-110	3-1/2-4-5/16	03017586	31,6	0,8	11	12,2	18,8	7,0	12,0	25	200
100-120	3-15/16-4-23/32	03017594	31,6	0,8	11	12,2	18,8	7,0	10,0	25	200
110-130	4-5/16-5-1/8	03017607	31,6	0,8	11	12,2	18,8	7,0	8,0	25	25
120-140	4-23/32-5-1/2	03017615	34,6	0,8	11	12,2	18,8	7,0	7,0	25	25
130-150	5-1/8-5-29/32	03017623	34,6	0,8	11	12,2	18,8	7,0	6,0	25	25
140-160	5-1/2-6-5/16	03017631	34,6	0,8	11	12,2	18,8	7,0	5,0	25	25
150-170	5-29/32-6-11/16	03017640	34,6	0,8	11	12,2	18,8	7,0	4,0	25	25
160-180	6-5/16-7-3/32	03017658	34,6	0,8	11	12,2	18,8	7,0	3,0	25	25
170-190	6-11/16-7-15/32	03017666	34,6	0,8	11	12,2	18,8	7,0	2,0	10	10
180-200	7-3/32-7-7/8	03017674	34,6	0,8	11	12,2	18,8	7,0	2,0	10	10
190-210	7-31/64-8-17/64	03017682	34,6	0,8	11	12,2	18,8	7,0	1,8	10	10
200-220	7-7/8-8-21/32	03017690	34,6	0,8	11	12,2	18,8	7,0	1,8	10	10
210-230	8-17/64-9-1/16	03017703	34,6	0,8	11	12,2	18,8	7,0	1,6	10	10
220-240	8-21/32-9-9/64	03017711	34,6	0,8	11	12,2	18,8	7,0	1,6	10	10

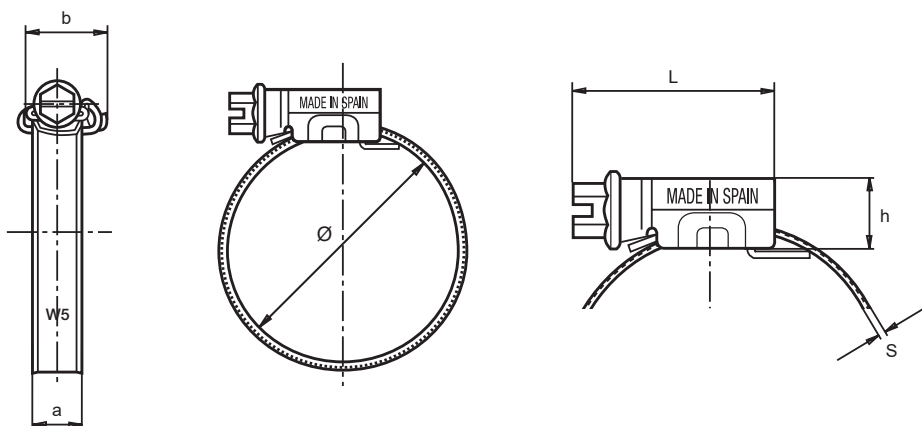
W5 Screw: Stainless steel (AISI-316) Cu (A4) **Band and Housing:** X5CrNiMo 17.12.2 Stainless steel (DIN 1.4401) (AISI-316) (A4)



Polar Diagram

● Sectors	S1	S2	S3	S4	S5	S6	S7	S8
— 5 Nm	122,4	137,2	140,6	121,2	165,7	164,6	154,5	196,1

Torque / Efficiency [Nm / daN]



Available Through:
BORSERINI SRL
 Via N. Sauro, 1
 I-23100 Sondrio SO
 Ph. +39 0342 209200 E-mail: info@borserini.it