



W5

## ASFA "L" Worm-Drive Clip

Thanks to the exclusive design of the housing, the ASFA "L" W5 hose clip has excellent performance while being at the same time very compact.

The cold-formed stamped band thread, smoothed on the underside, combined with beveled band-edges protects the hose from damage.

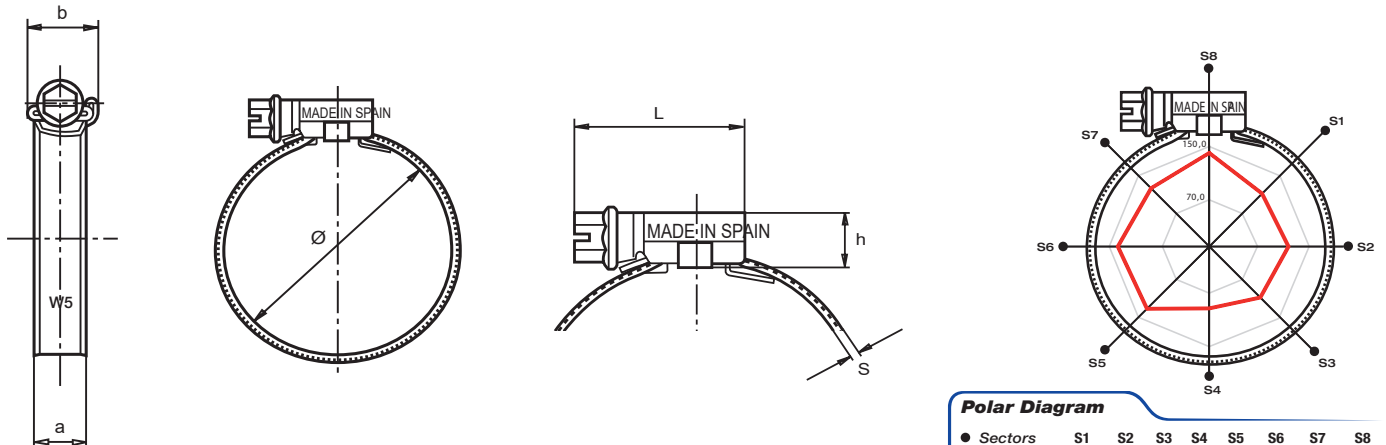
The ASFA "L" W5 hose clip complies fully with the DIN 3017 norm and also with the RoHs directive EU 20032/95/EC dated 1st July 2006. This clip is ideally for use in the petrochemical, foodstuffs and marine industry due to the outstanding corrosion resistance offered by the use of AISI-316 stainless steel in its manufacture.

\* The maximum application pressure can vary depending on the type of hose used and the geometry of the coupling.  
**Patented Worldwide.**

### ASFA "L" W5 Worm-Drive Clip (9mm bandwidth)

Application Ø		Part n° W5	L max.	s + 0,10	h max.	a + 0,3 a - 0,2	b max.	Max. Values* Torque (Nm)	Max. Values* Pressure (Bars)	Box Quantity (MOQ)	Packing
mm	inches										
8-16	5/16-5/8	03015759	22,1	0,65	10,5	9	14,0	3,0	45	200	800
12-22	15/32-7/8	03015767	22,1	0,65	10,5	9	14,0	3,0	45	200	800
16-27	5/8-1-1/16	03015775	23,6	0,75	10,5	9	14,0	3,5	42	200	800
20-32	25/32-1-1/4	03015783	23,6	0,75	10,5	9	14,0	3,5	36	200	800
25-40	1-1-9/16	03015804	25,6	0,75	10,5	9	14,0	4,0	32	100	800
30-45	1-3/16-1-3/4	03015812	25,6	0,75	10,5	9	14,0	4,0	28	100	800
32-50	1-1/4-1-31/32	03015820	25,6	0,75	10,5	9	14,0	4,0	24	100	800
40-60	1-9/16-2-3/8	03015839	25,6	0,75	10,5	9	14,0	4,0	19	100	400
50-70	1-31/32-2-3/4	03015847	29,6	0,75	10,5	9	14,0	4,0	17	100	100
60-80	2-3/8-3-1/8	03015855	29,6	0,75	10,5	9	14,0	4,0	15	100	100
70-90	2-3/4-3-1/2	03015863	29,6	0,75	10,5	9	14,0	4,0	13	50	400
80-100	3-1/8-3-15/16	03015871	29,6	0,75	10,5	9	14,0	4,0	11	50	400
90-110	3-1/2-4-5/16	03015880	29,6	0,75	10,5	9	14,0	4,0	10	25	200
100-120	3-15/16-4-23/32	03015898	29,6	0,75	10,5	9	14,0	4,0	9	25	200
110-130	4-5/16-5-1/8	03015900	29,6	0,75	10,5	9	14,0	4,0	8	25	25
120-140	4-23/32-5-1/2	03015919	29,6	0,75	10,5	9	14,0	4,0	7	25	25
130-150	5-1/8-5-29/32	03015927	29,6	0,75	10,5	9	14,0	4,0	6	25	25
140-160	5-1/2-6-5/16	03015935	29,6	0,75	10,5	9	14,0	4,0	5	25	25

**W5 Screw:** Stainless steel (AISI-316) Cu (A4)    **Band and Housing:** X5CrNiMo 17.12.2 Stainless steel (DIN 1.4401) (AISI-316) (A4)



**Polar Diagram**

● Sectors	S1	S2	S3	S4	S5	S6	S7	S8
— 4 Nm	112,1	118,9	92,8	132,0	137,1	137,1	123,3	140,1

Torque / Efficiency [ Nm / daN ]



Available Through:  
**BORSERINI SRL**  
 Via N. Sauro, 1  
 I-23100 Sondrio SO  
 Ph. +39 0342 209200 E-mail: info@borserini.it