



ASFA "L" CT Constant Tension Worm-Drive Clip

Constant tension worm-drive clips are designed to be used primarily in the automotive sector. The main difference between the W4 constant tension worm-drive and the standard Mikalor worm-drive is to be found in the spring-loaded insert.

This spring-loaded insert maintains constant pressure around the hose in case of variations in temperature and /or vibration thereby guaranteeing performance far superior to conventional worm-drives. For this reason constant tension worm-drive clips are used mainly with tubes or hoses carrying hot air or on engine refrigeration systems.

Moreover, the cold-formed stamped band thread, smoothed on the underside, combined with the beveled band edges protects the hose from any damage.

ASFA -W4 CT worm-drive clips are manufactured entirely from stainless steel (AISI 304) thereby ensuring excellent corrosion resistance.

This clip complies fully with the DIN 3017 norm and also with the RoHs directive EU/2002/95/EC dated 1st July 2006.

* The maximum application pressure can vary depending on the type of hose used and the geometry of the coupling.

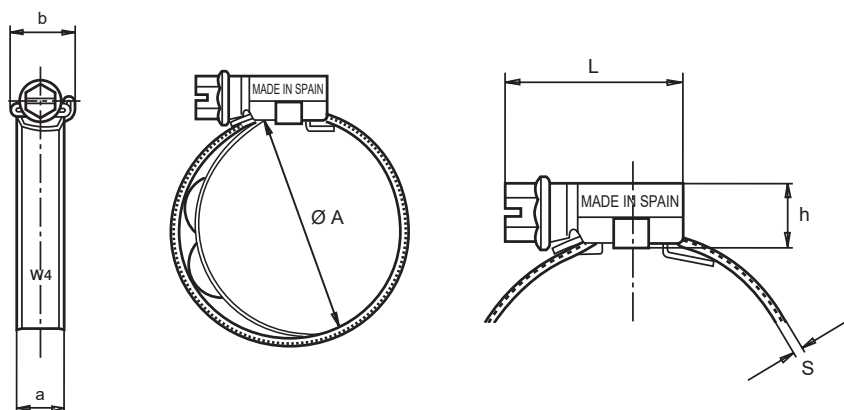
* The Nominal Ø "A" does not take into account the spring-loaded insert.

W4

ASFA "L" W4 CT Constant Tension Worm-Drive Clip (9mm bandwidth)

Nominal Ø A		Part n° W3	Application Ø	L max.	s + 0,10	h max.	a + 0,3 a - 0,2	b max.	Max. Values* Torque (Nm)	Max. Values* Pressure (Bars)	Box Quantity (MOQ)	Packing
mm	inches											
20-32	25/32-1-1/4	03017970	17-28	23,6	0,75	10,5	9	14	3,5	36	50	400
25-40	1-1-9/16	03017971	22-36	25,6	0,75	10,5	9	14	3,5	32	50	400
30-45	1-3/16-1-3/4	03017972	27-41	25,6	0,75	10,5	9	14	3,5	28	50	400
32-50	1-1/4-1-31/32	03017973	29-46	25,6	0,75	10,5	9	14	4,0	24	50	200
40-60	1-9/16-2-3/8	03017974	37-56	25,6	0,75	10,5	9	14	4,0	24	50	400
50-70	1-31/32-2-3/4	03017975	47-66	29,6	0,75	10,5	9	14	4,0	19	50	400
60-80	2-23/64-3-5/32	03017976	57-76	29,6	0,75	10,5	9	14	4,0	17	50	50
70-90	2-3/4-3-35/64	03017977	67-86	29,6	0,75	10,5	9	14	4,0	15	50	50
80-100	3-5/32-3-15/16	03017978	77-96	29,6	0,75	10,5	9	14	4,0	13	25	200
90-110	3-15/16-4-23/32	03017979	87-106	29,6	0,75	10,5	9	14	4,0	11	25	200
100-120	4-23/32-5-33/64	03017980	97-116	29,6	0,75	10,5	9	14	4,0	10	25	200
110-130	5-33/64-6-19/64	03017981	107-126	29,6	0,75	10,5	9	14	4,0	9	25	25

W4 Screw: Stainless steel (AISI-304) **Band and Housing:** X5CrNi1810 Stainless steel (DIN 1.4301) (AISI-304)
Spring-loaded insert: Stainless steel (AISI-301)



Available Through:
BORSERINI SRL
 Via N. Sauro, 1
 I-23100 Sondrio SO • Italy
 Ph. +39 0342 209200 • E-mail: info@borserini.it