



ASFA "L" CT Constant Tension Worm-Drive Clip

Constant tension worm-drive clips are designed to be used primarily in the automotive sector. The main difference between the W3 constant tension worm-drive and the standard Mikalor worm-drive is to be found in the spring-loaded insert.

This spring-loaded insert maintains constant pressure around the hose in case of variations in temperature and /or vibration thereby guaranteeing performance far superior to conventional worm-drives. For this reason constant tension worm-drive clips are used mainly with tubes or hoses carrying hot air or on engine refrigeration systems.

Moreover, the cold-formed stamped band thread, smoothed on the underside, combined with the beveled band edges protects the hose from any damage.

ASFA W3 CT worm-drive clips are manufactured entirely from stainless steel (AISI 430) thereby ensuring good corrosion resistance.

This clip complies fully with the DIN 3017 norm and also with the RoHs directive EU/2002/95/EC dated 1st July 2006.

* The maximum application pressure can vary depending on the type of hose used and the geometry of the coupling.

* The Nominal Ø "A" does not take into account the spring-loaded insert.

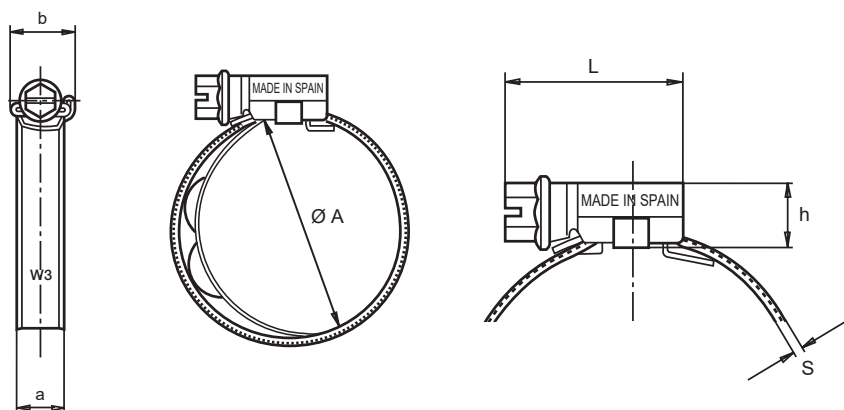
W3

ASFA "L" W3 CT Constant Tension Worm-Drive Clip (9mm bandwidth)

| Nominal Ø A | | Part n° W3 | Application Ø | L max. | s + 0,1 0 | h max. | a + 0,3 a - 0,2 | b max. | Max. Values* Torque (Nm) | Max. Values* Pressure (Bars) | Box Quantity | Packing (MOQ) |
|----------------|-----------------|---------------|------------------|-----------|-----------|--------|--------------------|-----------|-----------------------------|------------------------------------|-----------------|------------------|
| mm | inches | | | | | | | | | | | |
| 20-32 | 25/32-1-1/4 | 03017950 | 17-28 | 23,6 | 0,75 | 10,5 | 9 | 14 | 3,5 | 36 | 50 | 400 |
| 25-40 | 1-1-9/16 | 03017951 | 22-36 | 25,6 | 0,75 | 10,5 | 9 | 14 | 3,5 | 32 | 50 | 400 |
| 30-45 | 1-3/16-1-3/4 | 03017952 | 27-41 | 25,6 | 0,75 | 10,5 | 9 | 14 | 3,5 | 28 | 50 | 400 |
| 32-50 | 1-1/4-1-31/32 | 03017953 | 29-46 | 25,6 | 0,75 | 10,5 | 9 | 14 | 4,0 | 24 | 50 | 200 |
| 40-60 | 1-9/16-2-3/8 | 03017954 | 37-56 | 25,6 | 0,75 | 10,5 | 9 | 14 | 4,0 | 19 | 50 | 400 |
| 50-70 | 1-31/32-2-3/4 | 03017955 | 47-66 | 29,6 | 0,75 | 10,5 | 9 | 14 | 4,0 | 17 | 50 | 400 |
| 60-80 | 2-23/64-3-5/32 | 03017956 | 57-76 | 29,6 | 0,75 | 10,5 | 9 | 14 | 4,0 | 15 | 50 | 50 |
| 70-90 | 2-3/4-3-35/64 | 03017957 | 67-86 | 29,6 | 0,75 | 10,5 | 9 | 14 | 4,0 | 13 | 50 | 50 |
| 80-100 | 3-5/32-3-15/16 | 03017958 | 77-96 | 29,6 | 0,75 | 10,5 | 9 | 14 | 4,0 | 11 | 25 | 200 |
| 90-110 | 3-15/16-4-23/32 | 03017959 | 87-106 | 29,6 | 0,75 | 10,5 | 9 | 14 | 4,0 | 10 | 25 | 200 |
| 100-120 | 4-23/32-5-33/64 | 03017960 | 97-116 | 29,6 | 0,75 | 10,5 | 9 | 14 | 4,0 | 9 | 25 | 200 |
| 110-130 | 5-33/64-6-19/64 | 03017961 | 107-126 | 29,6 | 0,75 | 10,5 | 9 | 14 | 4,0 | 8 | 25 | 25 |

W3 Screw: Stainless steel (AISI-430) **Band and Housing:** X6Cr-17 Stainless steel (DIN 1.4016) (AISI 430)

Spring-loaded insert: Stainless steel (AISI-301)



Available Through:
BORSERINI SRL
 Via N. Sauro, 1
 I-23100 Sondrio SO • Italy
 Ph. +39 0342 209200 • E-mail: info@borserini.it